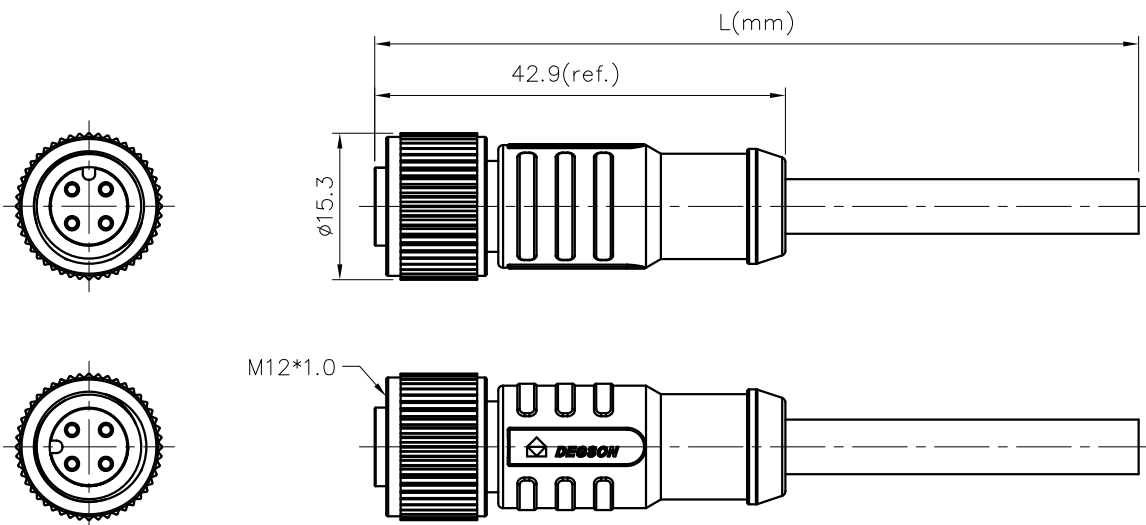


REVISION RECORD

REV	ECN	DESCRIPTION	DRFT	DATE
-----	-----	-------------	------	------



NOTES:

- Rated voltage/current : 3pin A: 250V / 4A  
4pin A: 250V / 4A  
5pin A: 60V / 4A  
6pin A: 30V / 2A  
8pin A: 30V / 2A
- Withstanding voltage : 3,4pin: AC1500V/1Min  
5pin: AC1120V/1Min  
6,8pin: AC500V/1Min
- Levels of protection: IP68
- Cable specifications :  
3pin A: 3C\*22AWG/0.34mm<sup>2</sup>,UL2517/UL20549  
4pin A: 4C\*22AWG/0.34mm<sup>2</sup>,UL2517/UL20549  
5pin A: 5C\*22AWG/0.34mm<sup>2</sup>,UL2517/UL20549  
6pin A: 6C\*24AWG/0.25mm<sup>2</sup>,UL2517/UL20549  
8pin A: 8C\*24AWG/0.25mm<sup>2</sup>,UL2517/UL20549
- Wire connection mode: soldering
- Operating temperature: PVC Cable: -25°C~+85°C  
PUR Cable: -25°C~+80°C
- RoHS Compliance
- Tolerance : ±0.5mm

PM-M12X-XXP-FF-SL8XXX-00A(H)

Coding: A,B,D

Pin number: 03,04, 05,06,08, 10,12

Cable length L:  
01: 1M  
...  
99: 99M  
The line grows business trip:  
01~05m: ± 50mm  
06~10m: ± 100mm  
11~30m: ± 200mm  
31~99m: ± 500mm

Cable jacket:  
A: PVC UL2517;  
B: PUR UL20549  
C: PVC UL2517 For UL Approve  
D: PUR UL20549 For UL Approve

3pin A Coding		4pin A Coding		5pin A Coding		6pin A Coding		8pin A Coding	
Pin Assignments Front View		Pin Assignments Front View		Pin Assignments Front View		Pin Assignments Front View		Pin Assignments Front View	
4	Black	4	Black	5	Grey	7	Blue	8	Red
3	Blue	3	Blue	4	Black	6	Pink	7	Blue
1	Brown	2	White	3	Blue	4	Yellow	6	Pink
Pin	Wire Color	Pin	Wire Color	2	White	3	Green	5	Grey
Pin Out		Pin Out		1	Brown	2	Brown	4	Yellow
				Pin	Wire Color	1	White	3	Green
				Pin Out		Pin	Wire Color	2	Brown
						Pin Out		1	White
								Pin	Wire Color
								Pin Out	

DETACHED LISTS	PART NO.: PMM12XXXPFSL8XXX00AH	宁波高松电子有限公司 NINGBO DEGSON ELECTRICAL CO., LTD		
	APPD:	NAME: PM-M12X-XXP-FF-SL8XXX-00A(H)		
	CHKD:	TITLE: CUSTOMER DRAWING		
	DRFT: SQ 2019.08.31	REV: D0-2	SHEET: 1/2	
		DRAWING NO.: XXXXXXXX-XX-CXX	SCALE: 1:1	
THIRD ANGLE PROJECTION		DO NOT SCALE DRAWING		

REVISION RECORD

REV	ECN	DESCRIPTION	DRFT	DATE
-----	-----	-------------	------	------

H

G

F

E

D

C

B

A

H

G

F

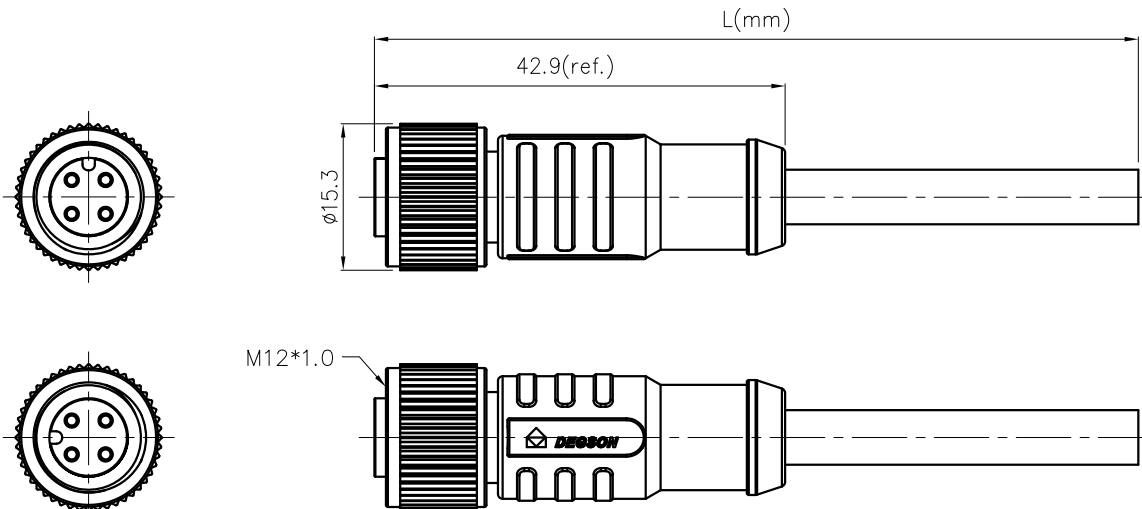
E

D

C

B

A



NOTES:

- Rated voltage/current : 10pin A: 30V / 1.5A  
12pin A: 30V / 1.5A  
5pin B: 60V / 4A  
4pin D: 250V / 4A
- Withstanding voltage : 10,12pin: AC500V/1Min  
5pin B: AC1120V/1Min  
4pin D: AC1500V/1Min
- Levels of protection: IP68
- Cable specifications :  
10pin A: 10C\*26AWG/0.14mm<sup>2</sup>, UL2517/UL20549  
12pin A: 12C\*26AWG/0.14mm<sup>2</sup>, UL2517/UL20549  
5pin B: 5C\*22AWG/0.34mm<sup>2</sup>, UL2517/UL20549  
4pin D: 4C\*22AWG/0.34mm<sup>2</sup>, UL2517/UL20549
- Wire connection mode: soldering
- Operating temperature: PVC Cable: -25°C~+85°C  
PUR Cable: -25°C~+80°C
- RoHS Compliance
- Tolerance : ±0.5mm

10pin A Coding	12pin A Coding	5pin B Coding	4pin D Coding
Pin Assignments Front View	Pin Assignments Front View	Pin Assignments Front View	Pin Assignments Front View
	12 Red/Blue		
	11 Grey/Pink		
10 Violet	10 Violet		
9 Red	9 Red		
8 Grey	8 Grey		
7 Black	7 Black		
6 Yellow	6 Yellow		
5 Pink	5 Pink	5 Grey	
4 Green	4 Green	4 Black	4 Black
3 White	3 White	3 Blue	3 Blue
2 Blue	2 Blue	2 White	2 White
1 Brown	1 Brown	1 Brown	1 Brown
Pin Wire Color	Pin Wire Color	Pin Wire Color	Pin Wire Color
Pin Out	Pin Out	Pin Out	Pin Out

PM-M12X-XXP-FF-SL8XXX-00A(H)

Coding: A,B,D

Pin number: 03,04, 05,06,08, 10,12

Cable length L:  
01: 1M  
...  
99: 99M  
The line grows business trip:  
01~05m: ± 50mm  
06~10m: ± 100mm  
11~30m: ± 200mm  
31~99m: ± 500mm

Cable jacket:  
A: PVC UL2517;  
B: PUR UL20549  
C: PVC UL2517 For UL Approve  
D: PUR UL20549 For UL Approve

DETACHED LISTS	PART NO.: PMM12XXXPFSL8XXX00AH	宁波高松电子有限公司 NINGBO DEGSON ELECTRICAL CO., LTD		
	APPD:	NAME: PM-M12X-XXP-FF-SL8XXX-00A(H)		
	CHKD:	TITLE: CUSTOMER DRAWING		
	DRFT: SQ 2019.08.31	REV: D0-2	SHEET: 2/2	
		DRAWING NO.: XXXXXXXX-XX-CXX	SCALE: 1:1	DO NOT SCALE DRAWING