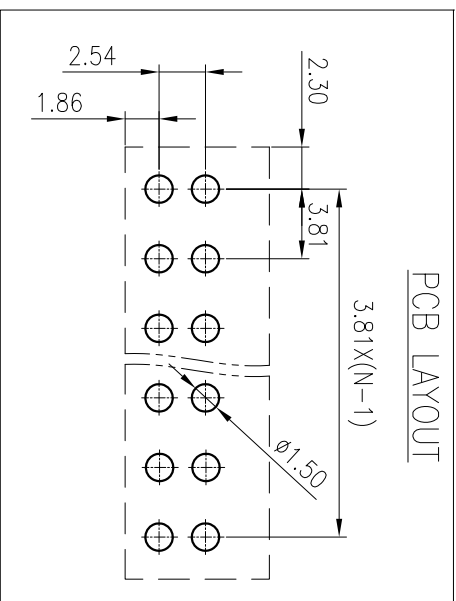
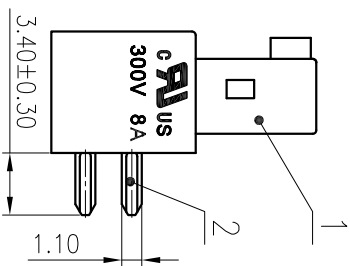
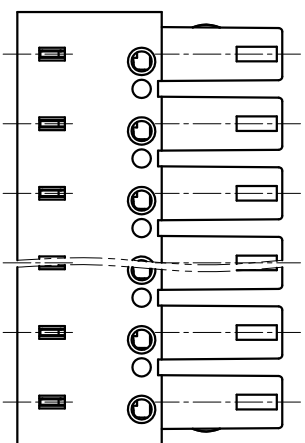
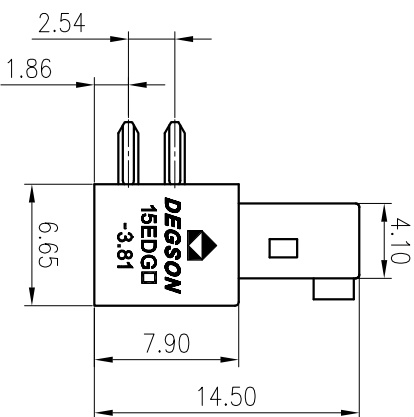
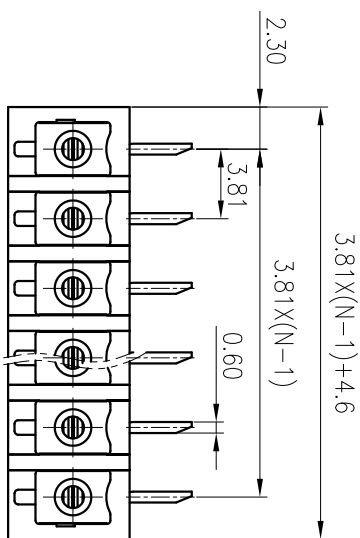


公差/General tolerances(mm)		公差/General tolerances(mm)		公差/General tolerances(mm)		公差/General tolerances(mm)		公差/General tolerances(mm)		公差/General tolerances(mm)		公差/General tolerances(mm)		公差/General tolerances(mm)		公差/General tolerances(mm)		公差/General tolerances(mm)				
0	>3	>6	>10	>18	>30	>50	>80	>120	>180	>250	>315	>400	>500	>630	>800	>1000	>1250	>1600	>2000	0.1/10		
~	~	~	~	~	~	~	~	~	~	~	~	~	~	~	~	~	~	~	~	~	±2'	
3	6	10	18	30	50	80	120	180	250	315	400	500	630	800	1000	1250	1600	2000	2500	3150	±2'	
±0.12	±0.18	±0.22	±0.26	±0.31	±0.37	±0.57	±0.80	±0.93	±1.08	±1.15	±1.60	±2.20	±2.50	±3.15	±4.00	±5.00	±6.30	±8.00	±10.00	±12.50	±16.00	±20.00



ITEM	NAME OF PART	MATERIAL	NOTES
2	Clamp	Copper alloy	Sn Plated
1	Housing	PA66	UL94V-0

UL 标准/UL Standard:	B	C	D
额定电压/Rated Voltage(V)/Current(A)	300/8	/	/
IEC 标准/IEC Standard:	/	/	/
过压类别/Overvoltage Category/污染等级/Pollution Degree	III/3	III/2	II/2
额定电压/电涌/Rated Voltage(V)/Current(A)	160/7	250/7	320/7
额定脉冲电压(KV)/Rate Impulse Voltage(KV)	2.5	2.5	2.5
间距/Pitch(mm)/线数范围/Poles	3.81	N=02~24P	
使用温度范围/Operating Temperature(°C)	-40~+105		
符合RoHS环保要求/Conform to RoHS	Yes		

SURFACE: /

MATERIAL:	/	宁波高松电子有限公司 NINGBO DEGSON ELECTRICAL CO., LTD
MAT NO.:	/	
STATUS:	/	
APPD:	Li GL 2020.06.17	
CHKD:	Mao J 2020.06.17	
DRAFT:	ZhengQG 2020.06.17	

NAME: 15EDGA-3.81-XXP-1Y-00A(H)

DRAWING NO.:	15EDGA-3.81-C01	REV	T0
TYPE:	CUSTOMER DRAWING	SCALE:	2.5:1 SHEET 1/1

REV	EON	DESCRIPTION	DRAFT	DATE

SIZE:	A4	SCALE:	2.5:1	SHEET:	1/1
-------	----	--------	-------	--------	-----