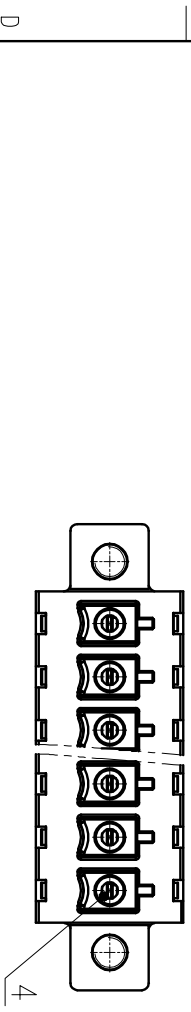
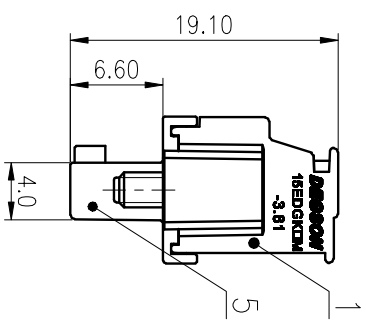
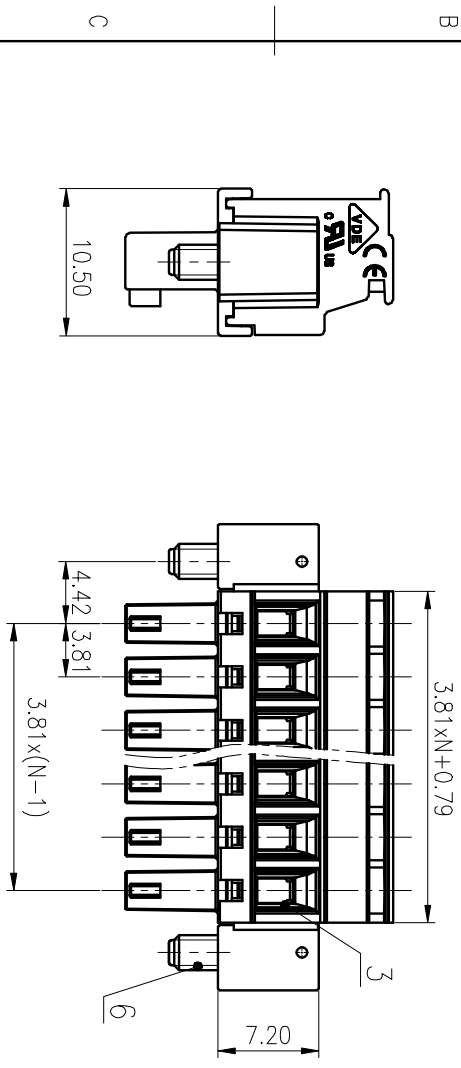
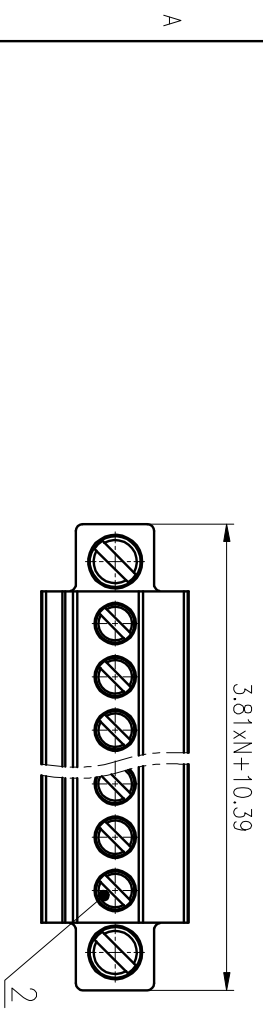


精度等级/General Tolerances(mm)		公差等级/General Tolerances(mm)										公差等级/General Tolerances(mm)		
0	>3	>6	>10	>18	>30	>50	>80	>120	>180	>250	>315	>400	>500	0.1/10
~	~	~	~	~	~	~	~	~	~	~	~	~	~	±Z
+0.12	+0.18	+0.22	+0.26	+0.31	+0.37	+0.57	+0.80	+0.93	+1.05	+1.15	+1.60	+2.20	±2.50	±Z



ITEM	NAME OF PART	MATERIAL	NOTES
6	Screw 2	Steel	M2.5/Zn Plated
5	Cover	PA66	UL94V-0
4	Clamp	Copper Alloy	Sn Plated
3	Cage	Copper Alloy	M2/Ni Plated
2	Screw 1	Steel	M2/Zn Plated
1	Housing	PA66	UL94V-0

UL 标准/UL Standard:	B	C	D
额定电压/电涌/Rated Voltage(V)/Current(A)	300/8	/	300/8
IEC 标准/IEC Standard:			
过压类别/Overvoltage Category/污染等级	II/2		
污染度/Pollution Degree	250/77		
额定电压/电涌/Rated Voltage(V)/Current(A)	250/77		
额定脉冲电压(kV)/Rate Impulse Voltage(kV)	2.5		
额定扭矩/Torque Tightening(N·m/Lbin)	M2, 0.2/1.77		
线芯范围(硬线和软线)/Wire Range(rigid and flexible)(mm²/AWG)	0.5~1.5/28~16		
间距/Pitch(mm)/线数范围/Poles	3.81/N=02~22P		
剥线长度/Stripping length(mm)	6~7		
使用温度范围/Operating temperature(°C)	-40~+105		
符合RoHS标准/Conform to RoHS	Yes		

MATERIAL: SURFACE:

MAT NO.:	/	宁波高松电子有限公司 NINGBO DEGSON ELECTRICAL CO., LTD
STATUS:	/	
APPD: Lan CHH	2020.05.28	NAME:
CHKD: Yu JZh	2020.05.28	15EDGKAM-3.81-XXP-1Y-100A(H)
DRT: CenK	2020.05.28	DRAWING NO.:
		10002160
		TYPE: CUSTOMER DRAWING
		SCALE: 2:1
		SHEET
		1/1

REV	ECN	DESCRIPTION	DRT	DATE