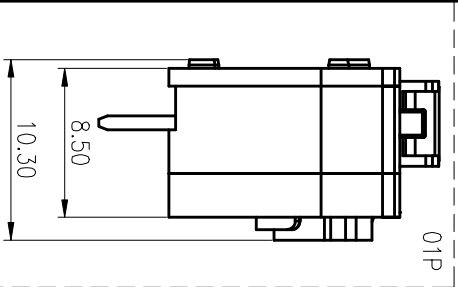
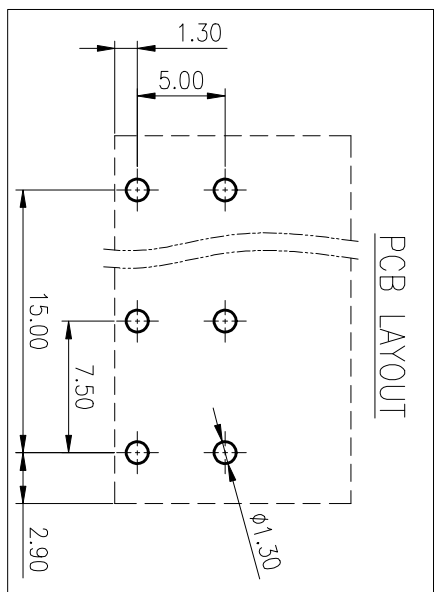
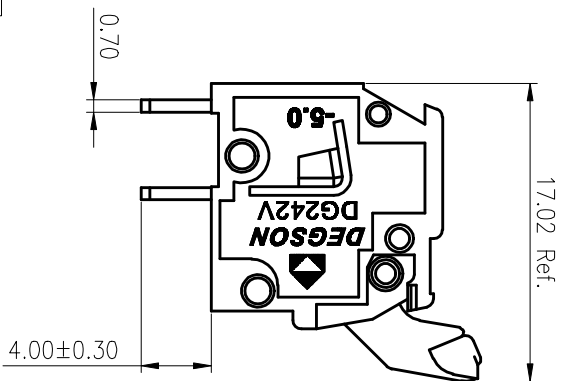
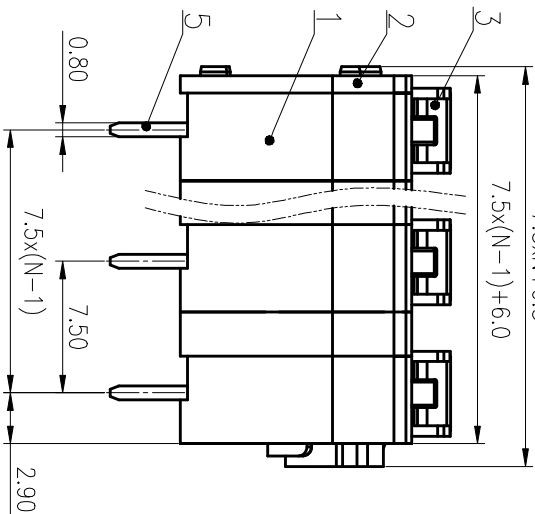
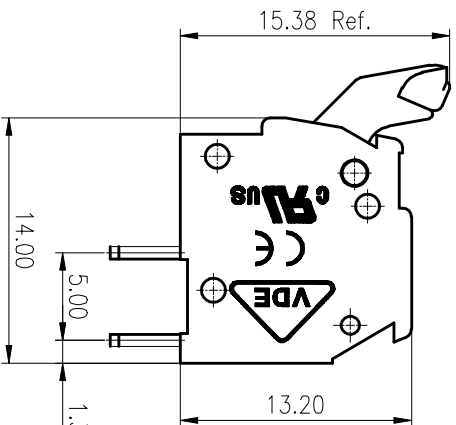
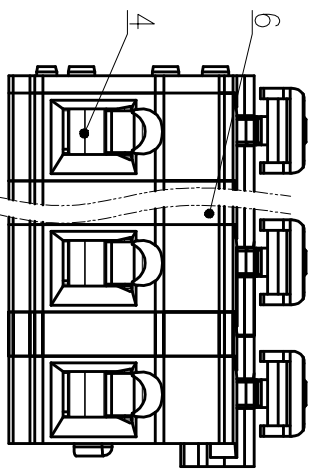


公差等级/General Tolerances(mm)		尺寸/Dimension												
0	>3	>6	>10	>18	>30	>50	>80	>120	>180	>250	>315	>400	>500	0.1/1/0
~	~	~	~	~	~	~	~	~	~	~	~	~	~	±Z
3	6	10	18	30	50	80	120	180	250	315	400	500	>500	±Z
±0.12	±0.18	±0.22	±0.26	±0.31	±0.37	±0.57	±0.80	±0.93	±1.05	±1.15	±1.60	±2.20	±2.50	±Z



ITEM	NAME OF PART	MATERIAL	NOTES
6	Clappboard	PA66	UL94V-0
5	Pin header	Copper alloy	Sn Plated
4	Spring	Stainless steel	/
3	Button	POM	UL94HB
2	Cover	PA66	UL94V-0
1	Housing	PA66	UL94V-0

UL 标准 /UL Standard:		B	C	D
额定电压/电涌/Rated Voltage(V)/Current(A)	300/15	/	300/10	/
IEC 标准 /IEC Standard:	III/3			
过压类别/Overvoltage Category/污染等级/Pollution Degree	III/3			
额定电压/电涌/Rated Voltage(V)/Current(A)	/	750/17	/	/
工频耐压/Withstanding Voltage(V)/min	/	AC3000	/	/
线芯范围(硬线和软线)/Wire Range(rigid and flexible)(mm ² /AWG)	0.2~2.5/28~12			
间距/Pitch(mm)/线数范围/Poles	7.5/N=01~16P			
引线长度/Stripping length(mm)	5~6			
使用温度范围/Operating temperature(°C)	-40~+105			
符合RoHS要求/Conform to RoHS	Yes			

MATERIAL:	/
MAT NO.:	/
STATUS:	/
APPD:	Li GL 2020.06.19
CHKD:	Mg EK 2020.06.19
DFT:	HuangSh 2020.06.19
NAME:	DEGSON® NINGBO DEGSON ELECTRICAL CO., LTD
DRAWING NO.:	DG242V-7.5-XP-1Y-00A(H)
TYPE:	CUSTOMER DRAWING

REV	ECN	DESCRIPTION	DFT	DATE
1				
2				
3				
4				
5				
6				