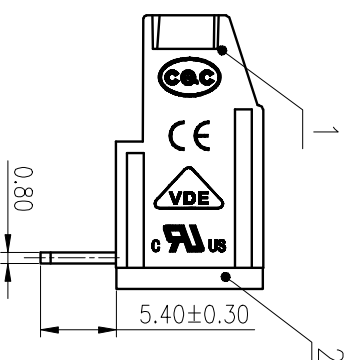


公差等级/General Tolerances(mm)		公差等级/General Tolerances(mm)										公差等级/General Tolerances(mm)		
0	>3	>6	>10	>18	>30	>50	>80	>120	>180	>250	>315	>400	>500	0.1/10
~	~	~	~	~	~	~	~	~	~	~	~	~	~	±Z
±0.12	±0.18	±0.22	±0.26	±0.31	±0.37	±0.57	±0.80	±0.93	±1.05	±1.15	±1.60	±2.20	±2.50	±Z



ITEM	NAME OF PART	MATERIAL	NOTES
1	Housing	PA66	UL94V-0
2	Cover	PA66	UL94V-0
3	Screw	Steel	M3/Zn plated
4	Cage	Copper alloy	M3/Ni plated
5	Pin header	Copper alloy	Sn plated

UL 标准 /UL Standard:	B	C	D
额定电压/电压 /Rated Voltage(V)/Current(A)	300/20	/	300/10
IEC 标准 /IEC Standard:	450/20		
额定电压/电压 /Rated Voltage(V)/Current(A)	450/20		
工频耐压 /Withstanding voltage(V/1Min)	AC2000		
拧紧扭矩 /Torque Tightening(N·m/Lb·in)	M3: 0.5/4.43		
线径范围 /Wire Range(rigid and flexible)(mm ² /AWG)	0.5~2.5/26~12		
间距 /Pitch(mm) /线数范围 /Poles	7.62 /N=02~16P		
剥线长度 /Stripping length(mm)	8		
使用温度范围 /Operating temperature(°C)	-40~+105		
符合 RoHS 环保要求 /Conform to RoHS	Yes		

MATERIAL:	SURFACE: /
MAT NO.:	/
STATUS:	/

NAME:	DRAWING NO.:	SCALE:
DEGSON [®] NINGBO DEGSON ELECTRICAL CO., LTD	10001990	2:1
APPD: LanChH 2020.05.16	DG129R-7.62-XXP-1Y-00A(H)	1/1
CHKD: YJZ 2020.05.16		
DRT: ChenZh 2020.05.16		

REV	ECN	DESCRIPTION	DRT	DATE	SIZE: A4	TYPE: CUSTOMER DRAWING	SCALE: 2:1	REV	T0
1									
2									
3									
4									