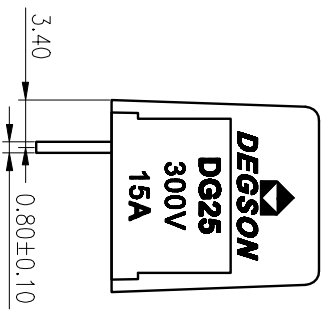
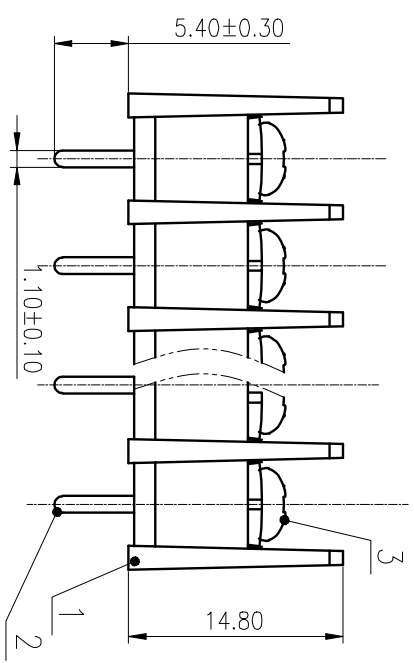
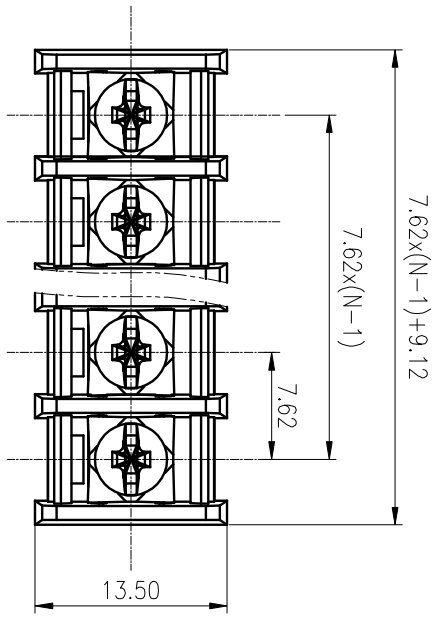
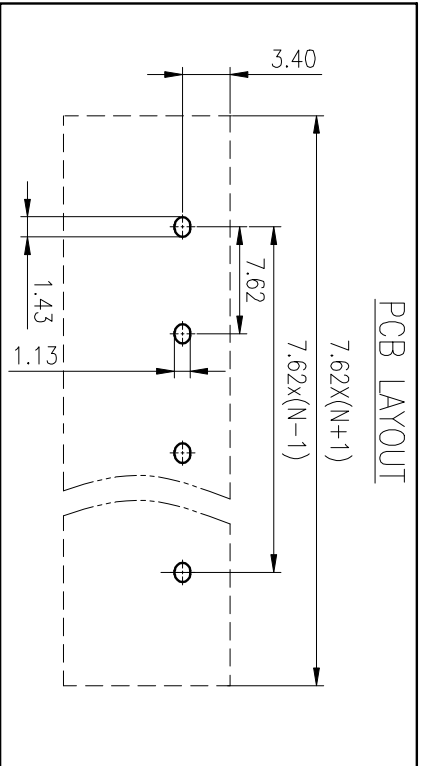


Pitch Range		In mm		Nominal Dimension		Range		In mm		Tolerance	
Over	6	Over	10	Over	30	Over	60	Over	100	Over	150
TO	10	TO	24	TO	60	TO	100	TO	150	TO	150
±0.15	±0.20	±0.30	±0.30	±0.50	±0.70	±1.00	±1.30	±2°			



PCB LAYOUT



MATERIAL:	/	NAME:	DEGSON® NINGBO DEGSON ELECTRICAL CO., LTD	
MAT NO.:	/	DRAWING NO.:	DG25S-B-04	
STATUS:	/	TYPE:	CUSTOMER DRAWING	
APPD:	/	SCALE:	2:1	
CHKD:	/	REV	TO	
DRT: Zhongju 2020.05.22		SHEET	1/1	

ITEM	NAME OF PART	MATERIAL	NOTES
3	SCERW	STEEL	NI PLATED
2	PIN HEADER	COPPER ALLOY	Sn PLATED
1	HOUSING	PA66	UL94V-0

UL 标准 / UL Standard:	B	C	D
额定电压/电压 / Rated Voltage(V)/Current(A)	300/15	300/10	300/10
IEC 标准 / IEC Standard:			
过压类别 / Overvoltage Category / 污染等级 / Pollution Degree	III/3	III/2	II/2
额定电压/电压 / Rated Voltage(V)/Current(A)	300/24	300/24	600/24
额定脉冲电压 / Rate Impulse Voltage (kV)	5	5	5
额定扭矩 / Torque Tightening(N·m/Lb.in)	M3. 0.5/4.43		
线径范围 / Wire Range(AWG)	22~14AWG		
间距 / Pitch(mm) / 线数范围 / Poles	7.62 / N=02~24P		
剥线长度 / Stripping Length(mm)	7		
使用温度范围 / Operating Temperature(°C)	-40~+105		
符合 RoHS 要求 / Conform to RoHS	Yes		