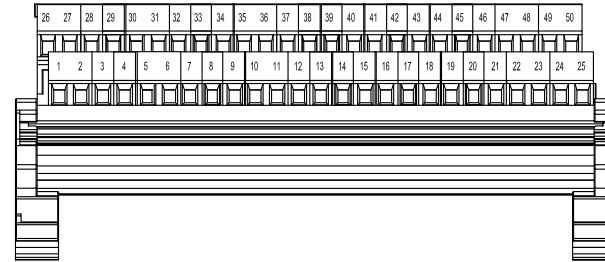
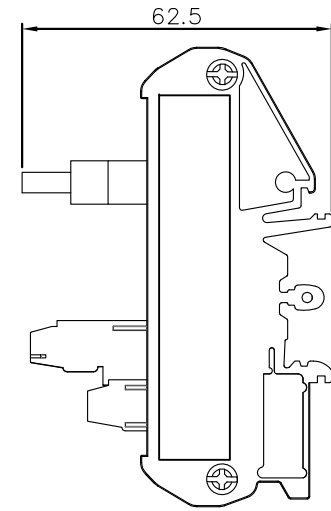
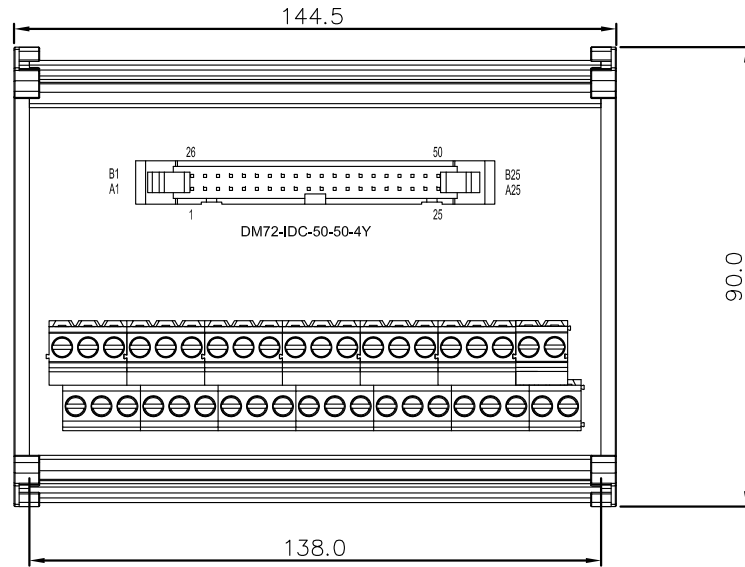


REVISION RECORD

REV	ECN	DESCRIPTION	DRFT	DATE
-----	-----	-------------	------	------



Specifications

Rated voltage	DC24V
Rated current	1A
Status display	no
Connector digits	50
Stripping Length	6-7mm
Terminal torque	0.4Nm (3.54Lb-In)
Input port/wire diameter	IDC 50P
Output port/wire diameter	DG500-5.08/ 1.0-2.5mm <sup>2</sup> /24-12AWG;
Temperature range	- 25℃ ~ +50℃
Installation Method	35mmDIN

DETACHED LISTS	PART NO.:	宁波高松电子有限公司 NINGBO DEGSON ELECTRICAL CO., LTD		
	APPD:	NAME: DM72-IDC-50-50-4Y-XXA(H)		
	CHKD:	TITLE: ASSEMBLY DRAWING		
	DRFT:	DRAWING NO.: DM72-IDC-E06	REV	
 THIRD ANGLE PROJECTION		DRAWING NO.:	SHEET	1/1
		MM (INCH)	DO NOT SCALE DRAWING	SCALE 1:1