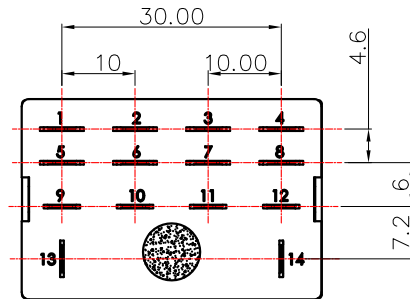
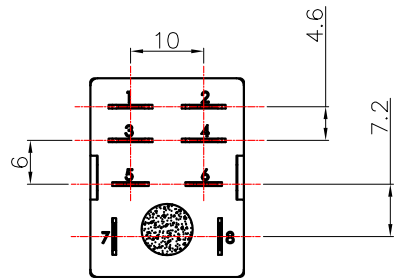
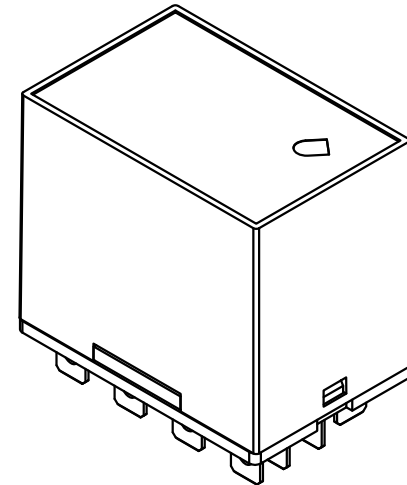
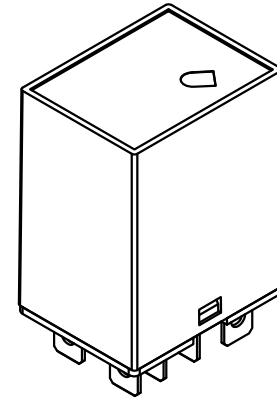
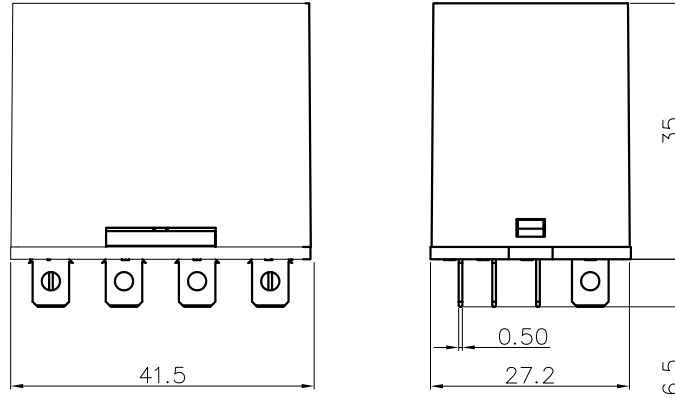
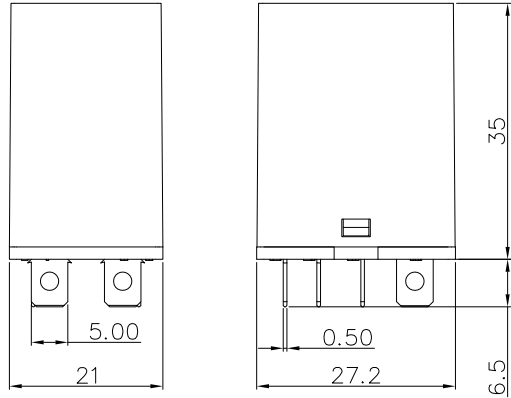


REVISION RECORD				
REV	ECN	DESCRIPTION	DRFT	DATE

DRPL-2C

DRPL-4C



Specifications

Rated voltage	DC24V/AV220V
Rated current	10A
Operate voltage	AC(50Hz)<80%Ue; DC<75%Ue
Release voltage	AC(50Hz)>30%Ue; DC>10%Ue
Coil power	2C: DC: 0.9W/AC: 1.2VA 4C: DC: 1.5W/AC: 3.0VA
Dielectric voltage	
Between contacts	1000VAC, 1Min (1mA)
Between contacts (different pole)	1000VAC, 1Min (1mA)
Between contacts and coil	1500VAC, 1Min (1mA)
Temperature range	- 25 °C ~ +50 °C

ITEM	NAME OF PART	MATERIAL	NOTES					
DETACHED LISTS	PART NO.:	宁波高松电子有限公司 NINGBO DEGSON ELECTRICAL CO., LTD						
	APPD:	NAME: DRPL-XX-XX-XX-02AH						
	CHKD:	TITLE: CUSTOMER DRAWING						
	DRFT:		<table border="1"> <tr> <td>REV</td> <td></td> </tr> <tr> <td>SHEET</td> <td>1/2</td> </tr> <tr> <td>SCALE</td> <td>1:1</td> </tr> </table>	REV		SHEET	1/2	SCALE
REV								
SHEET	1/2							
SCALE	1:1							
		<table border="1"> <tr> <td>DRAWING NO.:</td> <td>DRPL-E01</td> </tr> <tr> <td>MM (INCH)</td> <td>DO NOT SCALE DRAWING</td> </tr> </table>	DRAWING NO.:	DRPL-E01	MM (INCH)	DO NOT SCALE DRAWING		
DRAWING NO.:	DRPL-E01							
MM (INCH)	DO NOT SCALE DRAWING							