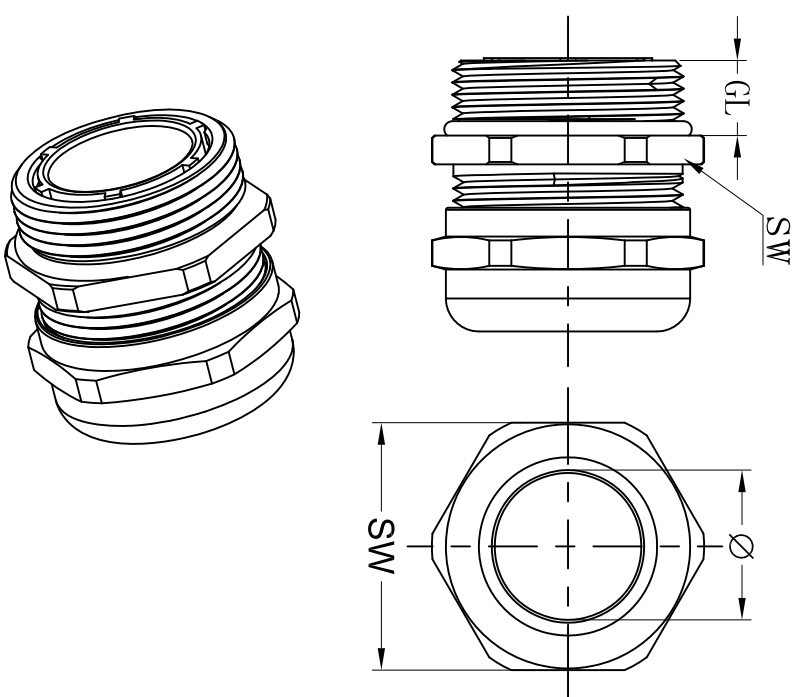


| REVISION RECORD |     |             |      |      |
|-----------------|-----|-------------|------|------|
| REV             | ECN | DESCRIPTION | DRFT | DATE |
|                 |     |             |      |      |

| Metric | PG      | Claping range (∅) | SW | GL  | Type        |
|--------|---------|-------------------|----|-----|-------------|
|        | Pg7     | 3-6.5             | 14 | 6.5 | DDL-PG7M    |
|        | Pg9     | 4-8               | 17 | 7   | DDL-PG9M    |
|        | Pg11    | 5-10              | 20 | 8   | DDL-PG11M   |
|        | Pg13.5  | 6-12              | 22 | 8   | DDL-PG13.5M |
|        | Pg16    | 8-14              | 24 | 8   | DDL-PG16M   |
|        | Pg21    | 13-18             | 30 | 8   | DDL-PG21M   |
|        | Pg29    | 18-25             | 40 | 9   | DDL-PG29M   |
|        | Pg36    | 22-32             | 50 | 10  | DDL-PG36M   |
|        | Pg42    | 31-38             | 58 | 10  | DDL-PG42M   |
|        | Pg48    | 37-44             | 64 | 12  | DDL-PG48M   |
|        | M12x1.5 | 3-6.5             | 14 | 6.5 | DDL-M12M    |
|        | M16x1.5 | 5-10              | 18 | 7   | DDL-M16M    |
|        | M20x1.5 | 6-12              | 22 | 8   | DDL-M20M    |
|        | M25x1.5 | 13-18             | 30 | 8   | DDL-M25M    |
|        | M32x1.5 | 18-25             | 40 | 9   | DDL-M32M    |
|        | M40x1.5 | 22-32             | 50 | 10  | DDL-M40M    |
|        | M50x1.5 | 30-38             | 58 | 10  | DDL-M50M    |
|        | M63x1.5 | 37-44             | 68 | 12  | DDL-M63M    |



Metal Cable gland  
 Material: Brass nickel plated  
 Seal Material: NBR  
 Degree of protection: IP68  
 Press seal material: PA  
 Temperature range: -40~100°C

| DETACHED LISTS          |                         |       |   |
|-------------------------|-------------------------|-------|---|
| PART NO.:               | /                       | NAME: | <b>DEGSON</b> ® NINGBO DEGSON ELECTRICAL CO., LTD<br>宁波高松电子有限公司 |
| APPD:                   |                         |       | Metal Cable gland   |
| CHKD:                   |                         |       |   |
| DFT: Mr. Yang2016.08.18 | TITLE: CUSTOMER DRAWING | REV   | DO-1  |
|                         |                         | SHEET | 1/1   |
|                         |                         | SCALE |   |