

REVISION RECORD				
REV	ECN	DESCRIPTION	DRFT	DATE

Technical characteristics:

Specifications
 DIN EN 60 664-1
 DIN EN 61 984

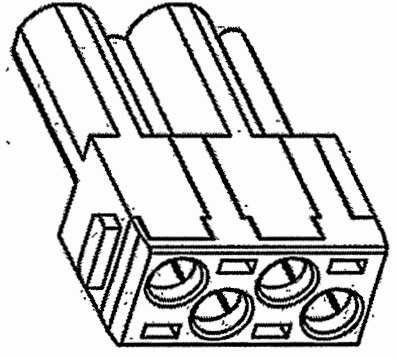
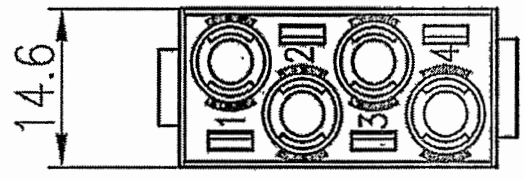
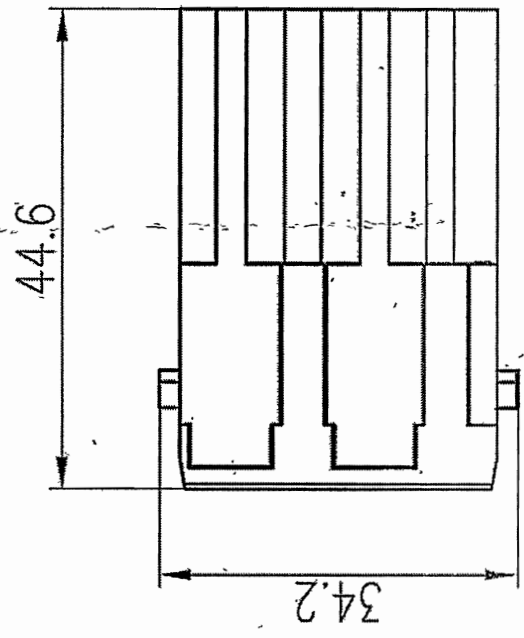
Inserts

01. Number of contacts : 4
02. Rated Current : 40A
03. Rated Voltage : 830V
04. Pollution degree : 3
05. Rated impulse voltage : 8kv_u
06. Insulation resistance : $\geq 10 \Omega$
07. Material: Polycarbonate
08. Rated voltage acc. to UL: 600V
09. Limiting temperatures : -40°C ~ +125°C
10. Flammability acc. to UL94: V0
11. Mechanical working life (mating cycles) : ≥ 500

Contacts

01. Material: Copper alloy
02. Surface: hard-silver plated
03. Contact resistance : $\leq 0.3m\Omega$
04. Terminal : Crimp terminal
05. Wire gauge : 1.5-6mm² (AWG 16-10)
06. Rohs Compliance

Note: Crimp contact pins should order separately



PART NO.:	/	NINGBO DEGSON ELECTRICAL CO., LTD
APPD:		NAME: 宁波高松电子有限公司
CHKD:	ym 2016.9.25	DMK-004-MC
DRFT:	yang 2016.08.22	TITLE: CUSTOMER DRAWING
 THIRD ANGLE PROJECTION		REV D0-1
 DO NOT SCALE		SHEET 1/1
		SCALE 1.5:1