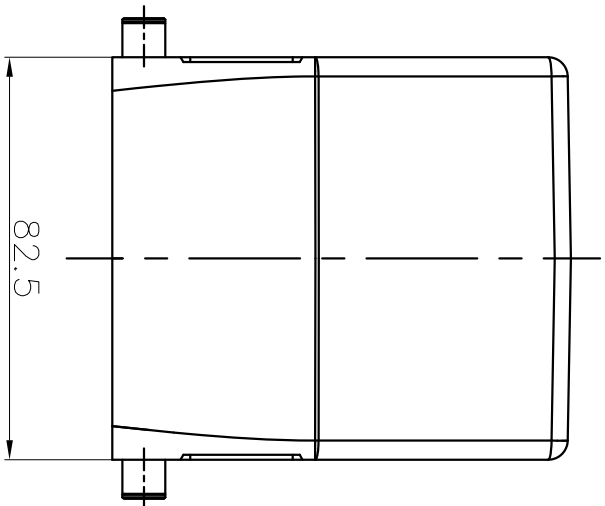
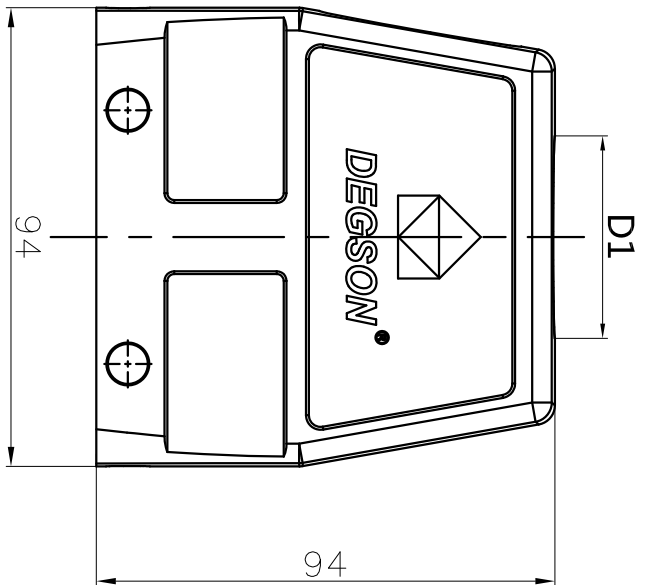
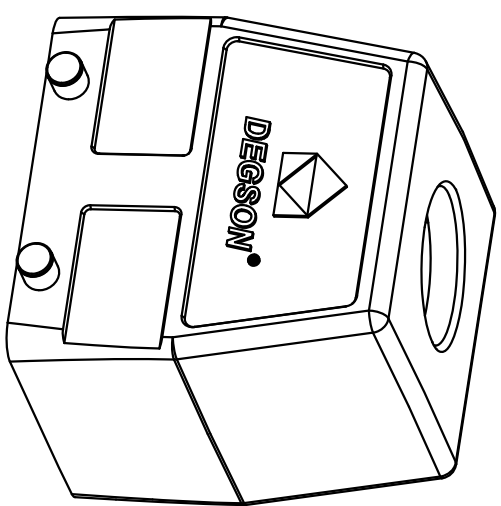


REVISION RECORD			
REV	ECN	DESCRIPTION	DRFT DATE

H	TYPE	Thread(D1)	Selection
	D32B-TE-4g-M32	M32	
	D32B-TE-4g-M40	M40	
	D32B-TE-4g-M50	M50	
	D32B-TE-4g-PG29	PG29	
	D32B-TE-4g-PG36	PG36	
	D32B-TE-4g-PG42	PG42	



- Hoods Feature**
- 01. Material: Aluminium die-cast
 - 02. Surface: Powder-coated
 - 03. Color: grey (RAL 7037)
 - 04. Limiting temperatures: -40°C~+125°C
 - 05. Flammability acc to UL94: V0
 - 06. Degree of protection acc. to EN60529 for coupled connector: IP65
 - 07. Rohs Compliance

DETACHED LISTS			
PART NO.:		NAME:	DEGSON NINGBO DEGSON ELECTRICAL CO., LTD 宁波高松电子有限公司
APPR:		TITLE:	D32B-TE-4g-M/PG CUSTOMER DRAWING
CHKD:		DRAWING NO.:	
DRFT:	Mr. yong 2016.08.15	REV	DO-1
THIRD ANGLE PROJECTION		SHEET	1/1
		DO NOT SCALE DRAWING	SCALE 1:1.5

A 8 | B 7 | C 6 | D 5 | E 4 | F 3 | G 2 | H 1