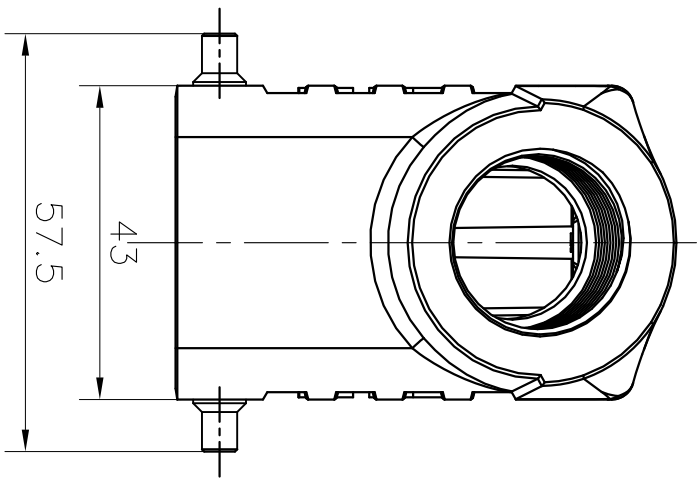
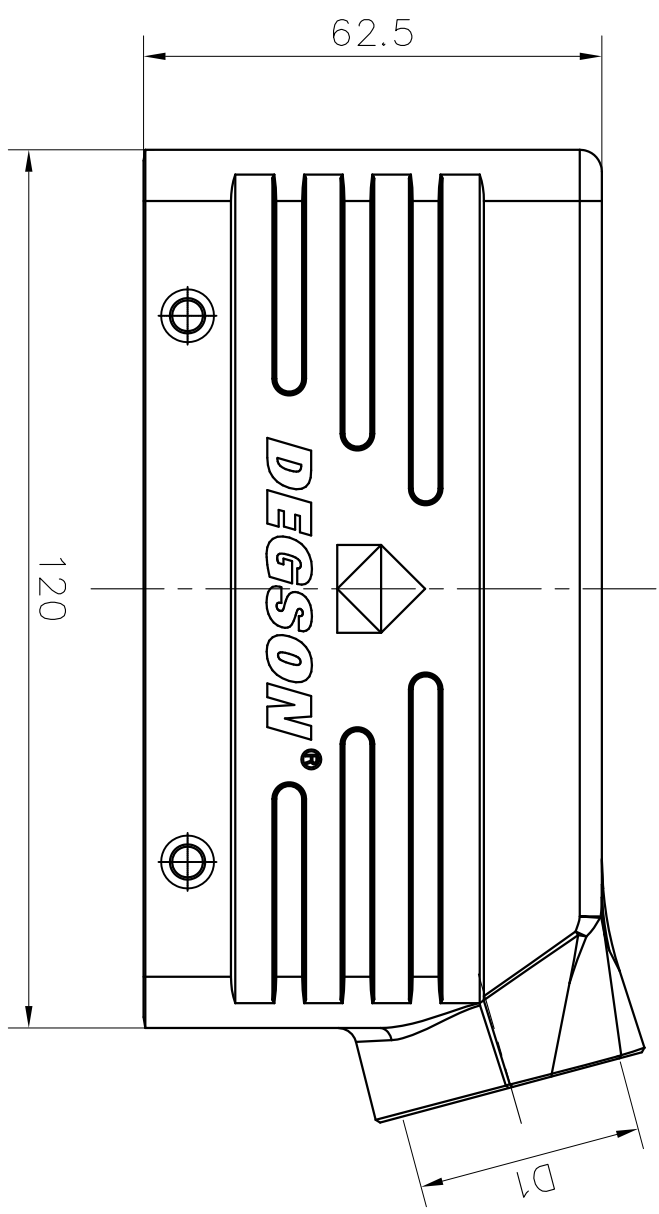
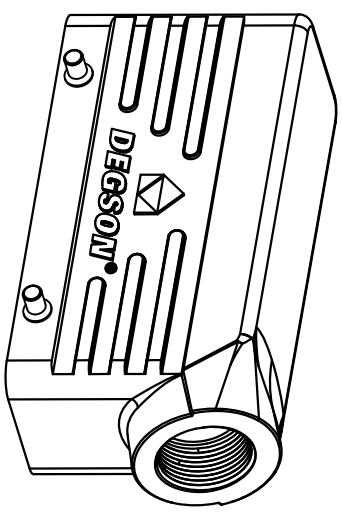


TYPE	Thread(D1)	Selection
D24B-SF-4g-M25	M25	
D24B-SF-4g-M32	M32	
D24B-SF-4g-PG21	PG21	

REVISION RECORD				
REV	ECN	DESCRIPTION	DRFT	DATE



- Hoods Feature**
1. Material: aluminium die-cast
  2. Surface: Powder-coated
  3. Color: grey (RAL 7037)
  4. Limiting temperatures: -40°C ~ +125°C
  5. Flammability acc to UL94: V0
  6. Degree of protection acc.to EN60529 for coupled connector : IP65
  7. Rohs compliance



DETACHED LISTS			
PART NO.:	/	NAME:	<b>DEGSON</b> 宁波高松电子有限公司 NINGBO DEGSON ELECTRICAL CO., LTD
APPR:			D24B-SE-4g-M/PG
CHKD:		TITLE:	CUSTOMER DRAWING
DRFT:	Mr. yong 2017/06/28	DRAWING NO.:	
		REV	DO-1
		SHEET	1/1
		SCALE	1:1

8

7

6

5

4

3

2

1