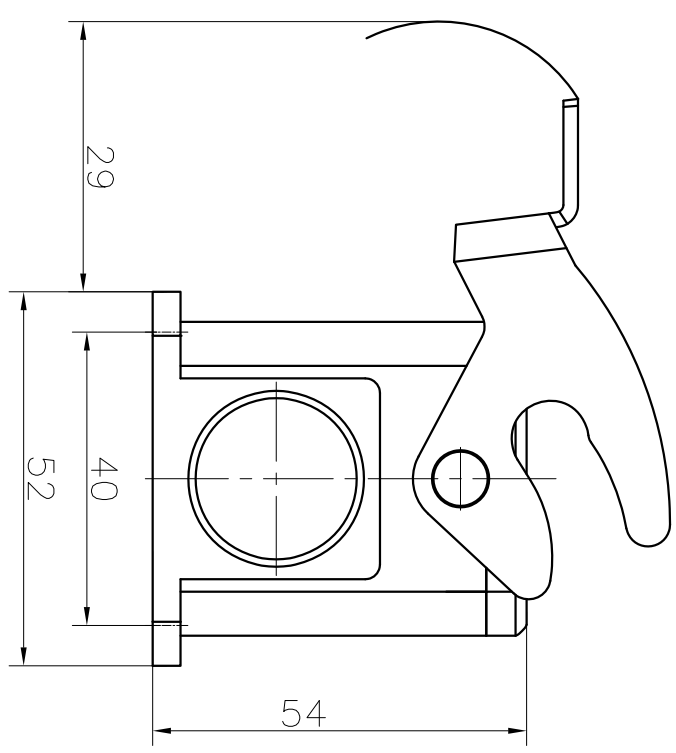
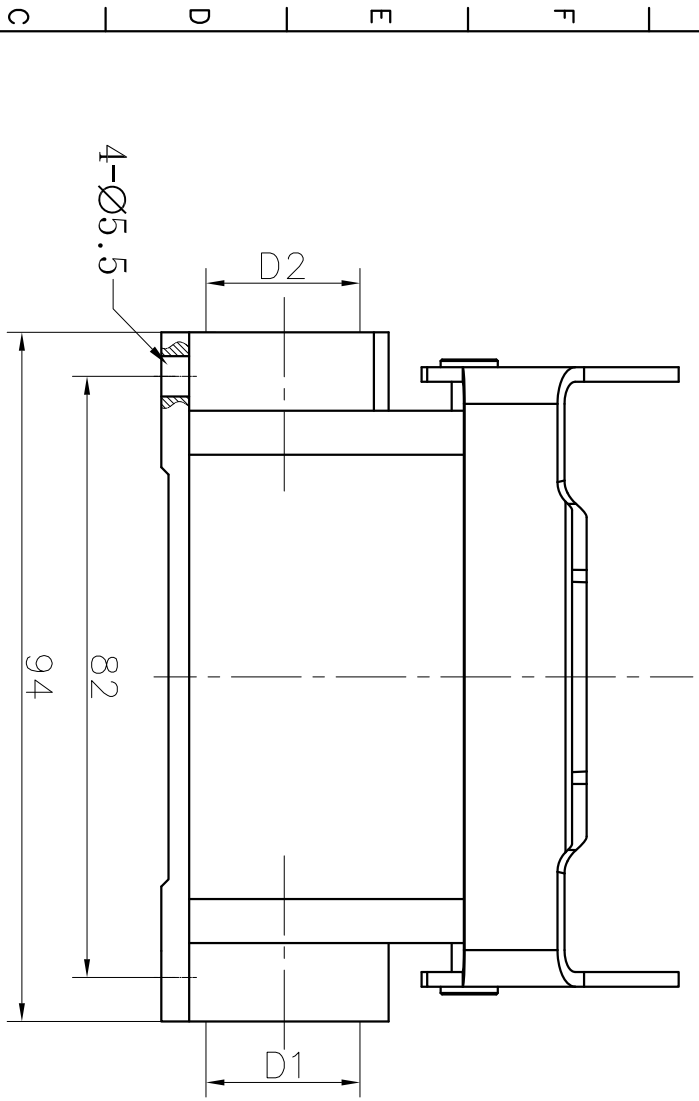
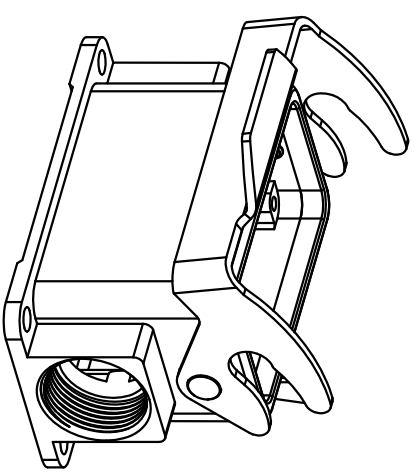


REVISION RECORD				
REV	ECN	DESCRIPTION	DRFT	DATE

TYPE	Thread		Selection
	D1	D2	
D10B-SF-1L-M20	M20	—	
D10B-SF-1L-2M20	M20	M20	
D10B-SF-1L-M25	M25	—	
D10B-SF-1L-2M25	M25	M25	
D10B-SF-1L-PG16	PG16	—	
D10B-SF-1L-2PG16	PG16	PG16	



- Housings Feature
- 01. Material : aluminium die-cast
 - 02. Surface : Powder-coated
 - 03. Color : grey (RAL 7037)
 - 04. Material : Metal (Lever)
 - 05. Sealing : NBR
 - 06. Limiting temperatures : -40°C ~ +125°C
 - 07. Flammability acc to UL94 : V0
 - 08. Degree of protection acc. to EN60529 for coupled connector : IP65
 - 09. Rohs compliance



DETACHED LISTS			
PART NO.:	/	NAME:	DEGSON NINGBO DEGSON ELECTRICAL CO., LTD 宁波高松电子有限公司
APPD:		TITLE:	CUSTOMER DRAWING
CHKD:		DRAWING NO.:	
DRFT:	Mr. yong 2017/06/28	REV	DO-1
THIRD ANGLE PROJECTION		SHEET	1/1
		SCALE	1:1