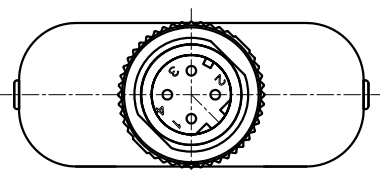
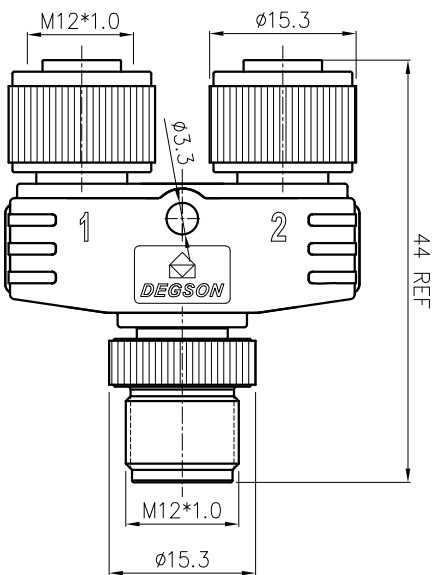
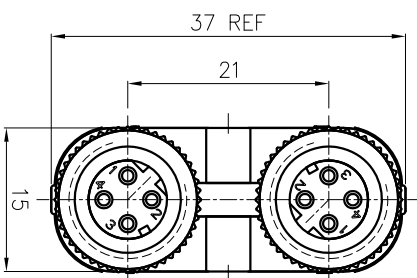
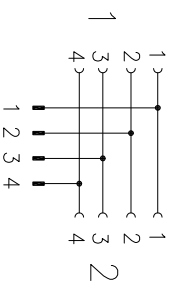


REVISION RECORD			
REV	ECN	DESCRIPTION	DATE



Circuit diagram:



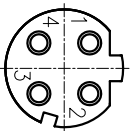
NOTES:

1. RoHS Compliance,
2. The Code direction is shown as diagram,
3. Housing material: PU (Color: black),
4. Contact body material: PU (Color: black),
5. Contact material: Copper alloy; (plating: gold)
6. O Ring material: Silicone; (Color: green)
7. Screw material: Zinc alloy (plating: Ni),

Technique parameter

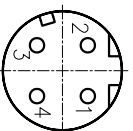
Rated voltage	250V
Rated current	4A
Insulation resistance	≥100MΩ
Withstanding voltage	800V AC
Operating temperature	-25°C~+85°C
Levels of protection	IP67
Cable OD	/

Female(Front view)



D-code

Male(Front view)



D-code

Dimensional tolerance (mm)

≤30	30	60	100	>150
~	~	~	~	~
±0.20	±0.30	±0.50	±0.70	±1.00

DETACHED LISTS

PART NO.:	FYM12D04MM12D04FT0100
APPD:	
CHKD:	
DFT:	WYM 2019/05/23
THIRD ANGLE PROJECTION	

NAME:	NINGBO DEGSON ELECTRICAL CO., LTD
TITLE:	ASSEMBLY DRAWING
DRAWING NO.:	20000781
DO NOT SCALE DRAWING	SCALE

宁波高松电子有限公司

NINGBO DEGSON ELECTRICAL CO., LTD

FY-M12D-04M-M12D-04F-T-0100

REV TO-1

SHEET 1/1

SCALE 1:1

A

A

B

B

C

C

D

D

E

E

F

F

G

G

H

H

8

7

6

5

4

3

2

1