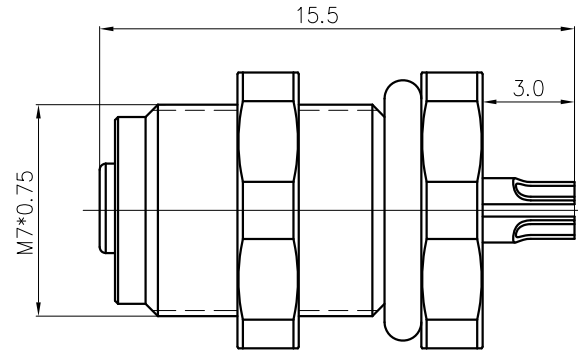
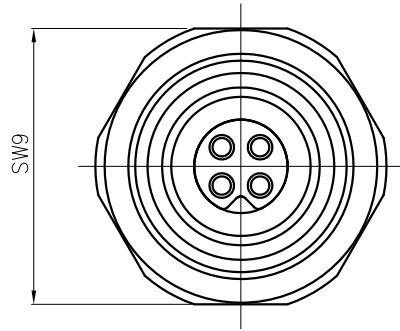


REVISION RECORD

REV	ECN	DESCRIPTION	DRFT	DATE
-----	-----	-------------	------	------



SD-M5A-XXP-FF-SF7002-00A(H)

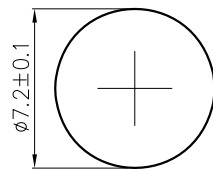
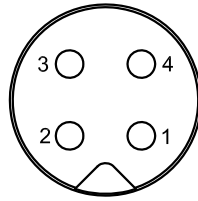
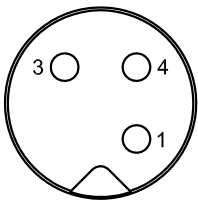
Pin number:03,04

NOTES:

- 1.Rated voltage/current : 60V / 1A
- 2.Withstanding voltage : 800V
- 3.Levels of protection:IP67
- 4.Wire range : 26~24AWG,0.14~0.25mm<sup>2</sup>
- 5.Wire connection mode:soldering
- 6.Operating temperature:-40°C~+85°C
- 7.For Panel Thickness Range :2.0~4.0mm
- 8.RoHS Compliance
- 9.Tolerance :
  - .X ±0.25mm
  - .XX ±0.1mm
  - Angles ±1°

3pin A Coding

4pin A Coding



Pin Assignment Front View

Pin Assignment Front View

Panel cut

DETACHED LISTS	PART NO.: SDM5AXPFFSF700200AH		宁波高松电子有限公司 NINGBO DEGSON ELECTRICAL CO., LTD		
	APPD:		NAME: SD-M5A-XXP-FF-SF7002-00A(H)		
	CHKD:		TITLE: CUSTOMER DRAWING		
	DRFT:	SQ 2019.05.11	REV	D0-1	
THIRD ANGLE PROJECTION		DRAWING NO.: XXXXXXXX-XX-CXX	SHEET	1/1	
		MM (INCH)	DO NOT SCALE DRAWING	SCALE	1:1