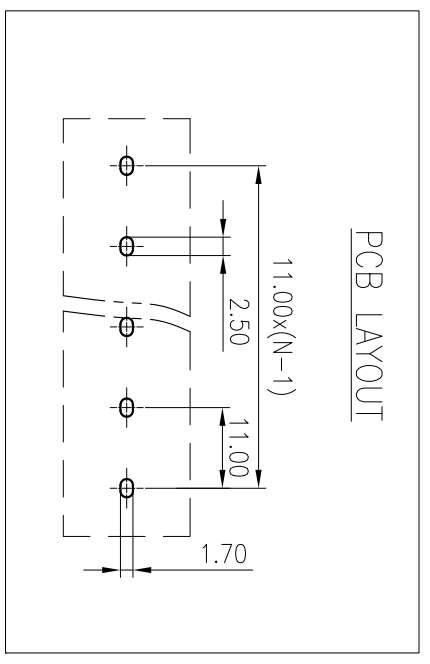
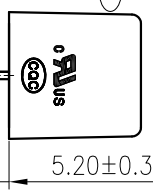
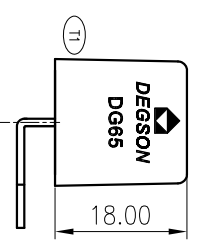
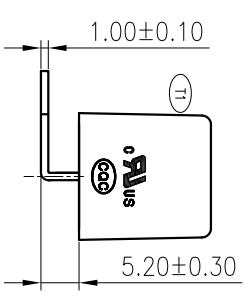
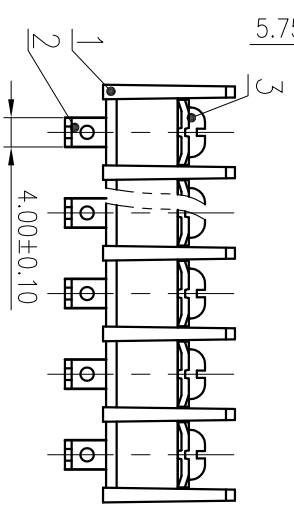
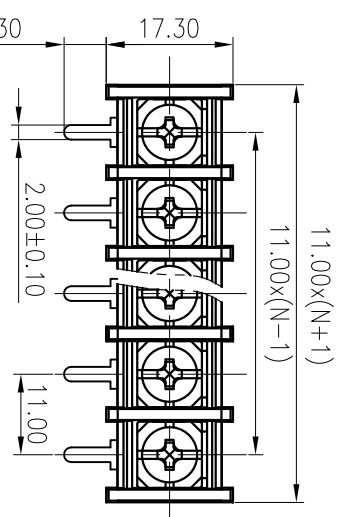


Pitch Range	Nominal Dimension Range In mm					- 0.1/10 /		
	Over 6	Over 10	Over 30	Over 60	Over 100			
TO 6	TO 10	TO 24	TO 30	TO 60	TO 100	≤		
TO 10	TO 24	TO 30	TO 60	TO 100	TO 150			
±0.15	±0.20	±0.30	±0.30	±0.50	±0.70	±1.00	±1.30	±2



3	Screw	Steel	Ni Plated
2	Pin header	Copper alloy	Sn Plated
1	Housing	PA66	UL94V-0
ITEM	NAME OF PART	MATERIAL	NOTES
UL 标准/UL Standard: B C D			
额定电压/电流/Rated Voltage(V)/Current(A) 300/30 300/30 300/10			
EC 标准/IEC Standard: III/3 III/2 II/2			
过压类别/Overvoltage Category/污染等级/ Pollution Degree			
额定电压/电流/Rated Voltage(V)/Current(A) 300/32 300/32 600/32			
额定脉冲电压(kV)/Rate Impulse Voltage(kV) 4 4 4			
额定扭矩/Torque Tightening(N·m/Lb·in) M4, 1.2/10.53			
使用温度范围/Operating temperature (°C) 11.00/N-02~22P			
符合RoHS环保要求/Conform to RoHS Yes			

MATERIAL: / SURFACE: /

MAAT NO.: /

STATUS: /

APPD: /

CHKD: /

NAME: **DEGSON** 宁波高松电子有限公司
NINGBO DEGSON ELECTRICAL CO., LTD

DRAWING NO.: DG65R-C01

TYPE: CUSTOMER DRAWING

SCALE: 1:1 SHEET 1/1

REV	ECN	DESCRIPTION	DRFT	DATE
①	17-0253	Remove the parameter	LY	2018.06.11

D C B A

1 2 3 4 5 6