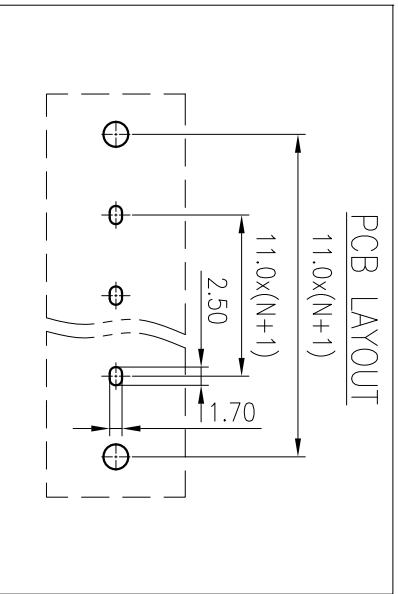
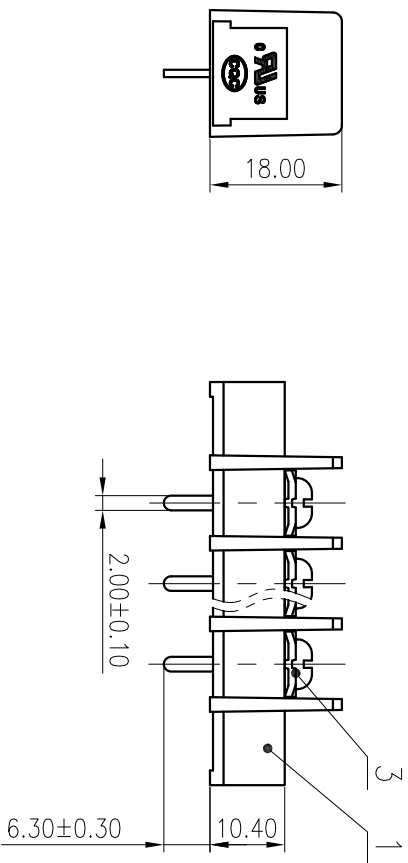
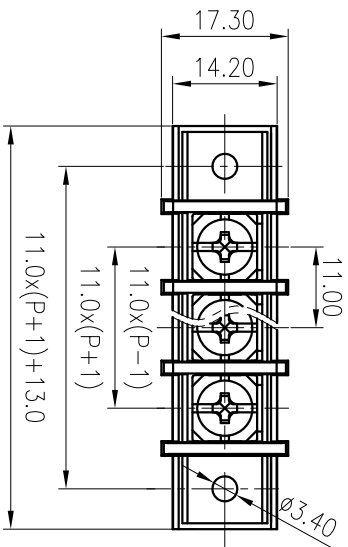


Pitch Range in mm		Nominal Dimension Range in mm						
Over 6	Over 10	Over 10	Over 30	Over 60	Over 100	Over 150	0.1/10	
TO 6	TO 10	TO 24	TO 30	TO 60	TO 100	TO 150	≤	
±0.15	±0.20	±0.30	±0.30	±0.50	±0.70	±1.00	±1.30	
							±2°	



REV	ECN	DESCRIPTION	DRFT	DATE	SIZE: A4	SCALE: 1:1	SHEET 1/1

MATERIAL: /
 MAT NO.: /
 STATUS: /
 APPD: /
 CHKD: /
 SURFACE: /

NAME: **DEGSON** NINGBO DEGSON ELECTRICAL CO., LTD
 DRAWING NO.: DG65C-C03
 TYPE: CUSTOMER DRAWING

NAME: **DG65C-A-XXP-1Y-00A(H)**

DRFT: WJ NK 2020.05.28
 TYPE: CUSTOMER DRAWING

UL 标准/UL Standard: B C D
 额定电压/电流/Rated Voltage(V)/Current(A) 300/30 300/30 300/10
 EEC 标准/IEC Standard: / / /
 过压类别/Overvoltage Category/污染等级 III/3 III/2 II/2
 级/ Pollution Degree
 额定电压/电流/Rated Voltage(V)/Current(A) 300/20 300/20 600/20
 额定脉冲电压(kV)/Rate Impulse Voltage(KV) 4 4 4
 额定脉冲电压(kV)/Rate Impulse Voltage(KV) M4, 1.2/10.53
 额定扭矩/Torque Tightening(N.m/Lb.in) 4
 导线范围(导线)/Wire Range(flexible)(AWG) 22~10
 可焊/Pitch(mm)/线数范围/Poles 11.00/N=02~20P
 剥线长度/Stripping length(mm) 10
 使用温度范围/Operating temperature(°C) -40~+105
 符合RoHS环保要求/Conform to RoHS Yes