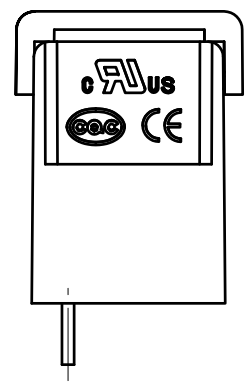
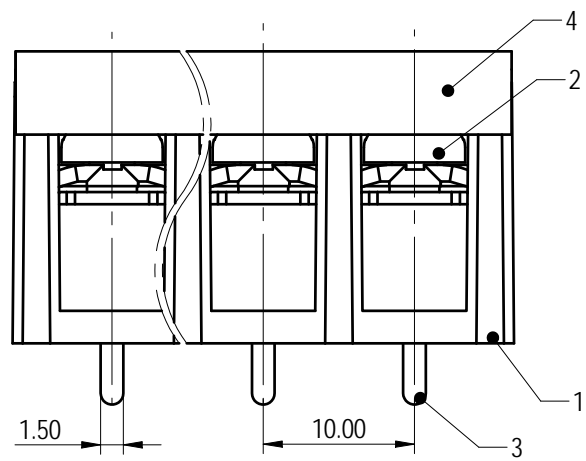
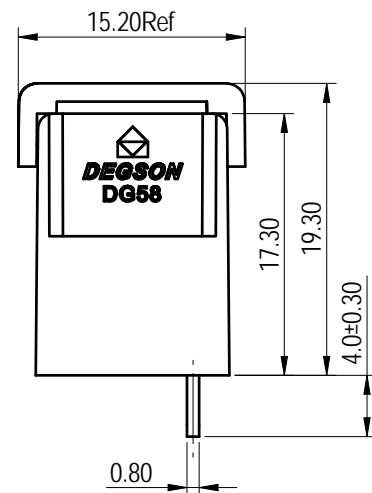
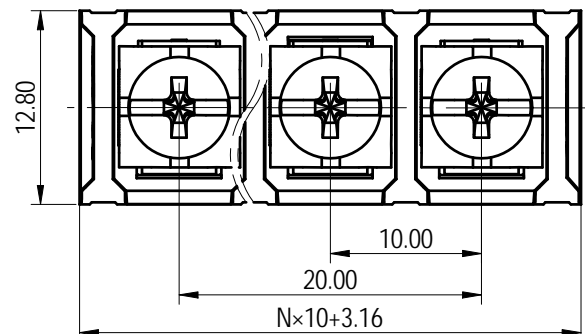
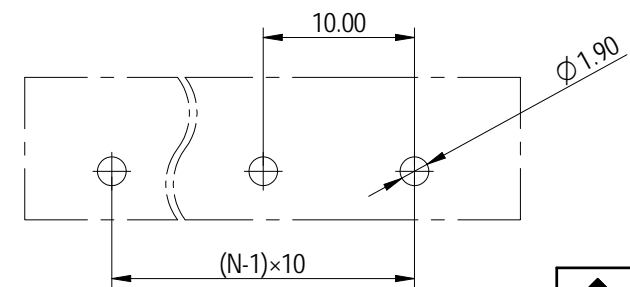


未注公差/General tolerances (mm)											0.1/10		
0	>3	>6	>10	>18	>30	>50	>80	>120	>180	>250		>315	>400
~3	~6	~10	~18	~30	~50	~80	~120	~180	~250	~315	~400	~500	>500
±0.12	±0.18	±0.22	±0.26	±0.31	±0.37	±0.57	±0.80	±0.93	±1.05	±1.15	±1.60	±2.20	±2.50

(W/O COVER VIEW)



Note: The A&Z(H) in the name means: A(H) and Z(H).



PCB LAYOUT

ITEM	NAME OF PART	MATERIAL	NOTES
4	Cover	PC	UL94V-2
3	Pin header	Copper alloy	Sn Plated
2	Screw	Steel	Ni Plated
1	Housing	PA66+GF	UL94V-0

UL 标准/UL Standard:		B	C	D
额定电压/电压/Rated Voltage(V)/Current(A)		300/20	/	300/10
螺丝扭矩/Torque Tightening(N·m/Lb.in)		M4, 1.2/10.53		
线径范围(硬线和软线)/Wire Range(rigid and flexible)(AWG/mm ²)		22~12		
间距/Pitch(mm)/线数范围/Poles		10/N=02~22P		
使用温度范围/Operating temperature(°C)		-40~+105		
符合RoHS环保要求/Conform to RoHS		Yes		

DEGSON		MATERIAL:	SURFACE/COLOR:	
APPD: 蓝贵凡 2022.12.21		MAT NO./REV:	/ 00	
CHKD: 曹利彬 2022.12.21		NAME		
DRFT: 孙科豪 2022.12.21		DG58S-B-XXP-1Y-00A&Z(H)		
DRAWING NO. 200123325		TYPE	CUSTOMER DRAWING	DRAWING STATUS
SCALE 2:1		SHEET 1/1		已发布

REV	ECN	DESCRIPTION	DRFT	DATE
00			孙科豪	2022.12.21

Transfer or duplication of this document as well as the utilization or communication of its content are prohibited unless authorized in writing by DEGSON. All rights reserved for patent, utility model or design registrations. 除专利等权利外, 其他权利均归 DEGSON 所有。未经 DEGSON 书面许可, 不得复制或传播本文件内容。所有权利均归 DEGSON 保留。