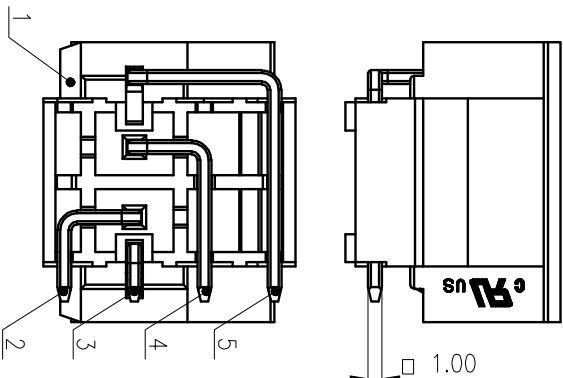
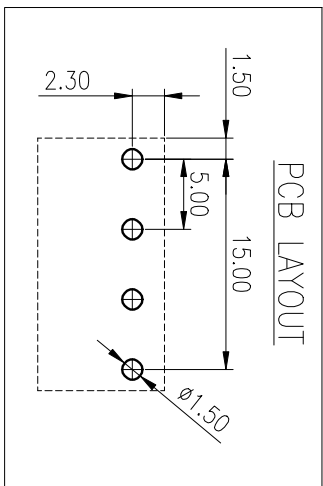
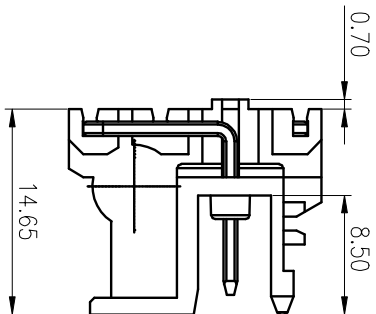
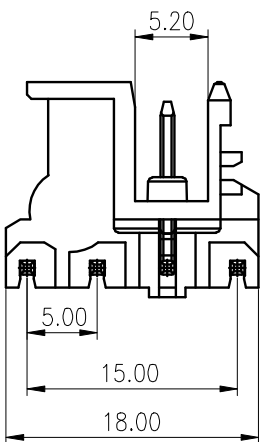
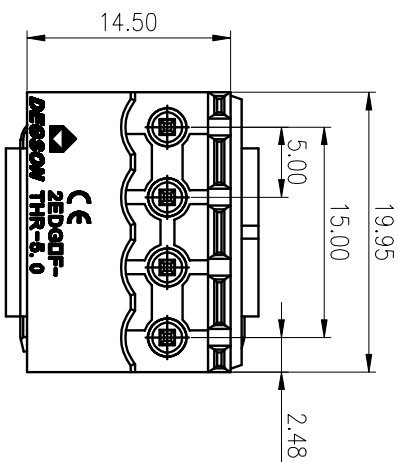
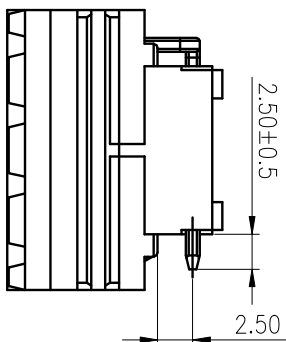


公差等级/General	tolerance/(mm)	0	>3	>6	>10	>18	>30	>50	>80	>120	>180	>250	>315	>400	>500	0.1/10
~	~	~	~	~	~	~	~	~	~	~	~	~	~	~	~	±Z
±0.12	±0.18	±0.22	±0.26	±0.31	±0.37	±0.57	±0.80	±0.93	±1.05	±1.15	±1.60	±2.20	±2.50			



ITEM	NAME OF PART	MATERIAL	NOTES
1	Housing	PA4T	UL94V-0
2	Pin2	Copper	Sn Plated
3	Pin1	Copper	Sn Plated
4	Pin3	Copper	Sn Plated
5	Pin4	Copper	Sn Plated

UL 标准 /UL Standard:	B	C	D
额定电压/电涌/Rated Voltage(V)/Current(A)	300/15	/	/
IEC 标准 /IEC Standard:			
过压类别 /Overvoltage Category/污染等级	III/3	III/2	II/2
额定电压/电涌/Rated Voltage(V)/Current(A)	400/20	320/20	250/20
额定电涌电压 (kV) /Rate Impulse Voltage (kV)	4.0	4.0	4.0
间距 /Pitch (mm) /线数 /Poles	5.0/04P		
使用温度范围 /Operating temperature(°C)	-40~+120		
符合RoHS环保要求 /Conform to RoHS	Yes		

文件专用
2021.10.29
(仅供内部使用, 对外无效)

REV	ECN	DESCRIPTION	DRAFT	DATE	SIZE: A4	TYPE: CUSTOMER DRAWING	SCALE: 2:1	REV	T0
								1/1	

REV	ECN	DESCRIPTION	DRAFT	DATE	SIZE: A4	TYPE: CUSTOMER DRAWING	SCALE: 2:1	REV	T0
								1/1	

MATERIAL: /	SURFACE: /
MAT NO.: /	
STATUS: /	
APPD: Zhu WM 2021.10.29	NAME: 2EDGRF-THR-5.0-04P-1Y-00A(H)
CHKD: Gao WG 2021.10.29	DRAWING NO: 2EDGRF-THR-5.0-C03
DRAFT: XieXD 2021.10.29	TYPE: CUSTOMER DRAWING
	SCALE: 2:1
	SHEET 1/1

Transfer or duplication of this document as well as the utilization or communication of its contents are prohibited unless explicit authorization is granted. Violations will be liable for compensation. All rights reserved for patent, utility model or designs registrations. 除非给予明确授权, 否则禁止转让、复制、利用、交流本文件的内容, 侵权者将承担赔偿责任。本公司保留对涉及发明、实用新型和外观设计的所有权利。