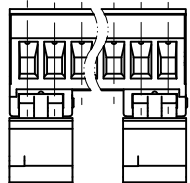


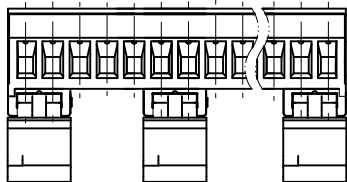
未注公差/General tolerances (mm)													$\frac{\Delta}{\phi}$	
0	>3	>6	>10	>18	>30	>50	>80	>120	>180	>250	>315	>400	>500	0.1/10
~3	~6	~10	~18	~30	~50	~80	~120	~180	~250	~315	~400	~500		± 2
													± 0.12	
													± 0.18	
													± 0.22	
													± 0.26	
													± 0.31	
													± 0.37	
													± 0.45	
													± 0.57	
													± 0.70	
													± 0.85	
													± 1.05	
													± 1.25	
													± 1.60	
													± 2.00	
													± 2.50	



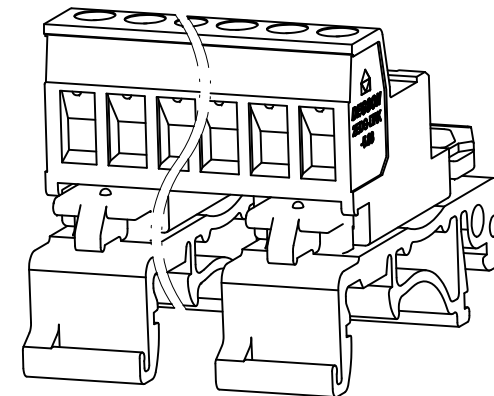
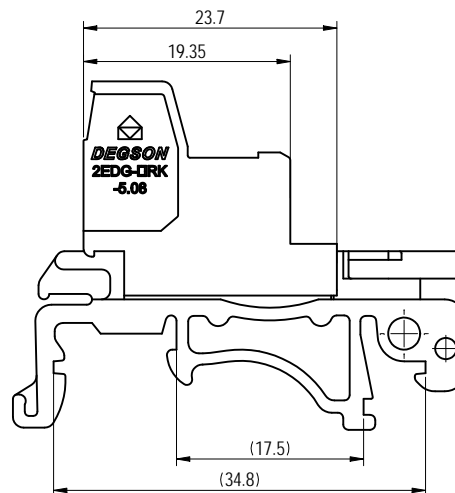
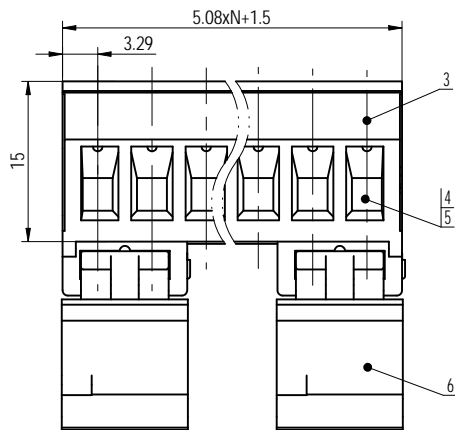
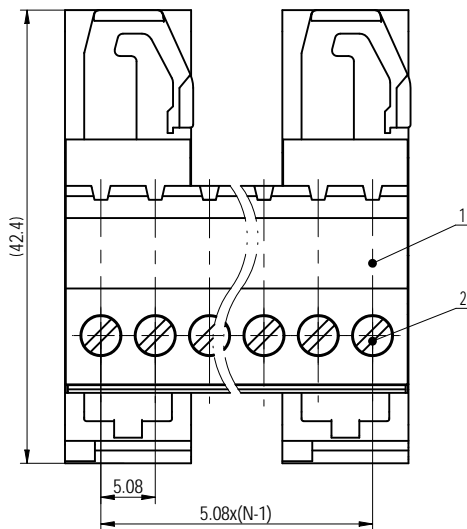
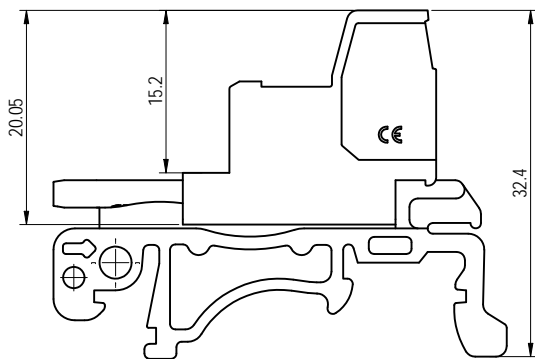
6-10P(Slots at both ends)



11-24P(Odd number poles:3 slots, slots position is shown in the view)



11-24P(Even number poles:3 slots, slots position is shown in the view)



Note:
The A&Z(H) in the name means: A(H) and Z(H).

ITEM	NAME OF PART	MATERIAL	NOTES
6	Housing2	PA66	UL94V-0
5	Pin header	Copper alloy	Sn Plated
4	Cage	Copper alloy	M3/Ni Plated
3	Cover	PA66	UL94V-0
2	Screw	Steel	M3/Zn Plated
1	Housing1	PA66	UL94V-0

UL 标准/UL Standard:	B	C	D
额定电压/电压/Rated Voltage(V)/Current(A)	300/15	/	300/10
IEC 标准/IEC Standard:			
过压类别/Overvoltage Category/污染等级/Pollution Degree	III/3	III/2	II/2
额定电压/电压/Rated Voltage(V)/Current(A)	/	320/20	/
额定脉冲电压(KV)/Rate Impulse Voltage(KV)	/	4	/
螺丝扭矩/Torque Tightening(N·m/Lb.in)		M3: 0.5/4.43	
线径范围(硬线和软线)/Wire Range(rigid and flexible)(AWG/mm ²)		28~12 / 1.0~2.5	
间距/Pitch(mm)/线数范围/Poles		5.08/N=06~24P	
剥线长度/Stripping length(mm)		7~8	
使用温度范围/Operating temperature(°C)		-40~+105	
符合RoHS环保要求/Conform to RoHS		Yes	
标准颜色编号/Standard color number: PANTONE / RAL		/	

DEGSON		MATERIAL:	SURFACE/COLOR:		
APPD: 兰春华	2022.11.22	MAT NO./REV:	/ 01	MAT STATUS:	批量
CHKD: 黄耀志	2022.11.22	NAME: 2EDG-URK-5.08-XXP-1Y-00A&Z(H)			
DRFT: 刘强	2022.11.18	DRAWING NO.	TYPE	DRAWING STATUS	SCALE
00		200030516	CUSTOMER DRAWING	已发布	2:1
REV	ECN	DESCRIPTION	DRFT	DATE	SHEET
					1/1

Transfer or duplication of this document, as well as the utilization or manufacturing of its contents without the written permission of the manufacturer, is prohibited. All rights reserved for patent. 未经许可复制或传播本文件, 以及未经制造商书面许可擅自使用其内容, 均属于侵权行为。保留所有权利, 侵权必究。