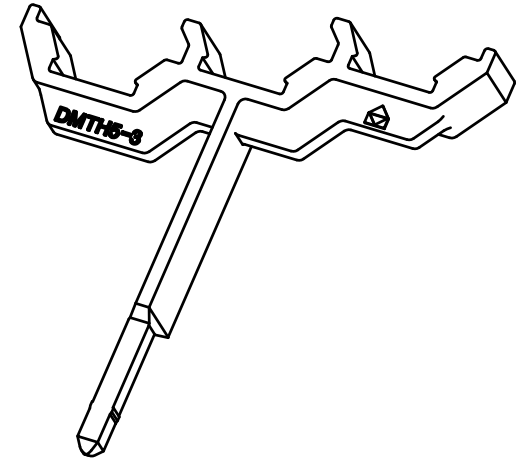
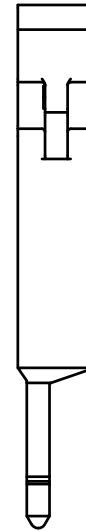
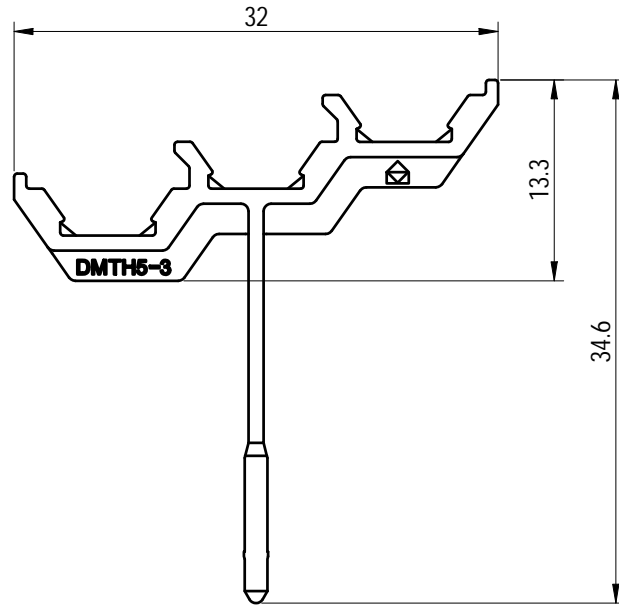
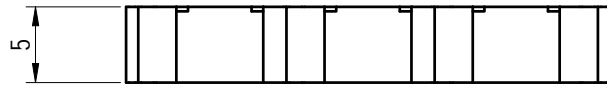


未注公差/General tolerances (mm)												0.1/10		
0 ~ 3	>3 ~ 6	>6 ~ 10	>10 ~ 18	>18 ~ 30	>30 ~ 50	>50 ~ 80	>80 ~ 120	>120 ~ 180	>180 ~ 250	>250 ~ 315	>315 ~ 400		>400 ~ 500	>500
±0.12	±0.18	±0.22	±0.26	±0.31	±0.37	±0.57	±0.80	±0.93	±1.05	±1.15	±1.60	±2.20	±2.50	±2'



Transfer or duplication of this document as well as the utilization or communication of its contents are prohibited unless expressly permitted. Violations will be treated as counterfeiting. All rights reserved for patent, utility model or design registrations. 除专利权明确授权，否则禁止转让、复制、引用、发布本文件的序号、标识等前及制造数据。本公司保留对涉及发明、实用新型和外观设计的所有权利。

			MATERIAL: PA66		SURFACE/COLOR: /	
			MAT NO./REV: / /		MAT STATUS: /	
APPD: PengM	2022.06.13	NAME				
CHKD: GaoWG	2022.06.13	DMTH5-3-1Y-00A (H)				
DRFT: XieXD	2022.06.13	DRAWING NO.	TYPE	DRAWING STATUS	SCALE	SHEET
		/	CUSTOMER DRAWING	/	2:1	1/1

REV	ECN	DESCRIPTION	DRFT	DATE
00	/	/	XieXD	2022.06.13