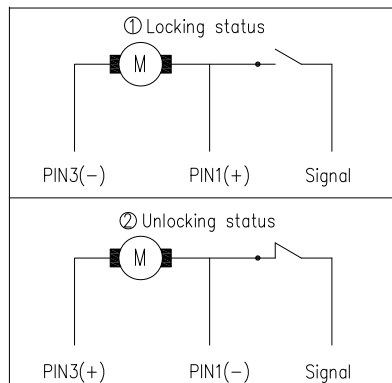
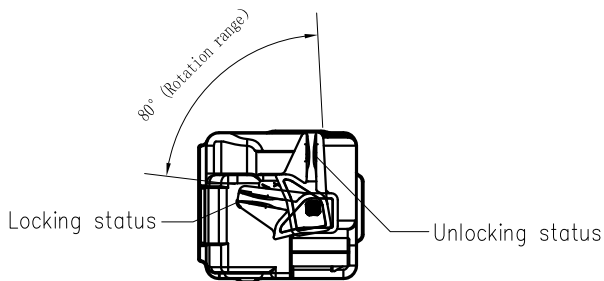
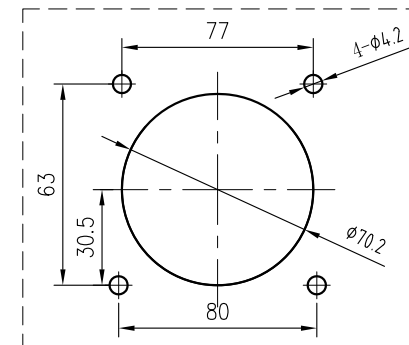
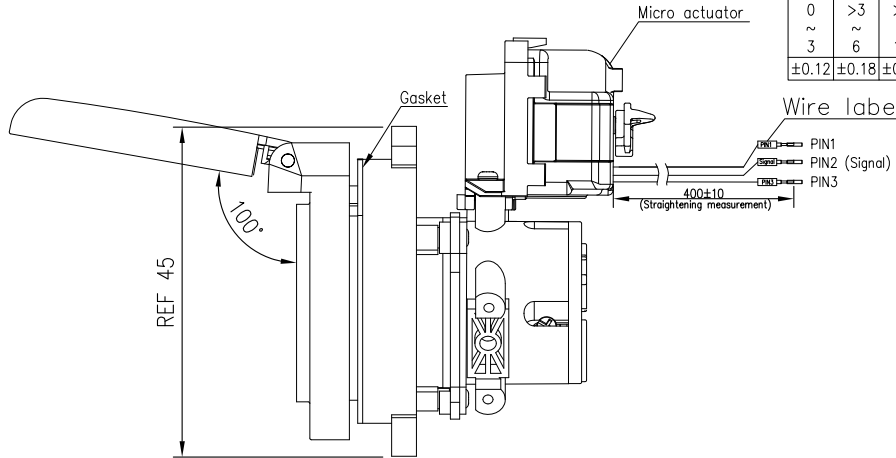
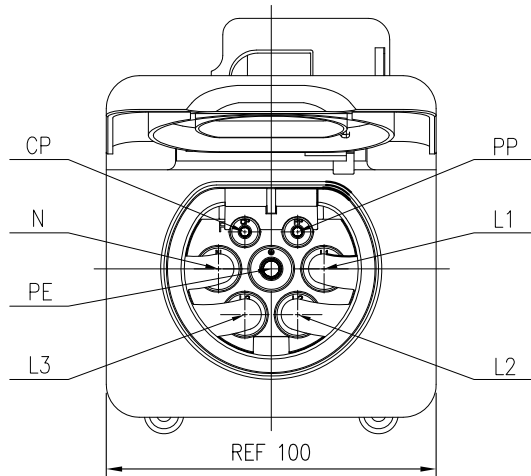
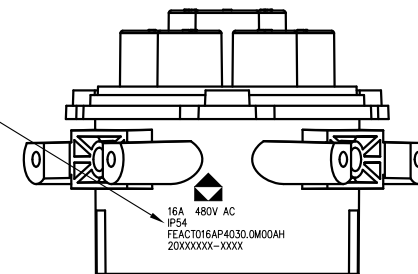
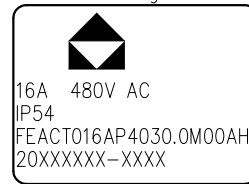


未注公差/General tolerances(mm)											0.1/10 ±2'		
0	>3	>6	>10	>18	>30	>50	>80	>120	>180	>250		>315	>400
~3	~6	~10	~18	~30	~50	~80	~120	~180	~250	~315	~400	~500	~500
±0.12	±0.18	±0.22	±0.26	±0.31	±0.37	±0.57	±0.80	±0.93	±1.05	±1.15	±1.60	±2.20	±2.50



Laser Printing:



Connection Mode:

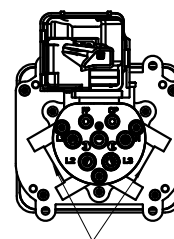
L1	(2.5mm <sup>2</sup> )	L1
L2	(2.5mm <sup>2</sup> )	L2
L3	(2.5mm <sup>2</sup> )	L3
N	(2.5mm <sup>2</sup> )	N
PE	(2.5mm <sup>2</sup> )	PE
PP	(0.75mm <sup>2</sup> )	PP
CP	(0.75mm <sup>2</sup> )	CP
NTC	White	T1
	White	T2
	Green	PIN1
Micro Actuator	Blue	PIN2 (Signal)
	Red	PIN3

Micro actuator parameters:

Rated Voltage: DC 12V  
 Operating Voltage : 9-15.5 V  
 Current consumption: <2.4A  
 Reactive Time: 40ms < t < 200ms  
 ① PIN 1 +, PIN3 -: The switch will be disconnected in Locking status  
 ② PIN 1 -, PIN3 +: The switch will be connected in unlocking status  
 PIN 2: signal  
 H -Bridge is necessary for polarity change

Attention:

The Thermistor is placed beside of L1  
 The Thermistor is NTC  
 (Specification :T= 25°C Resistance = 10±1% Kohm)  
 The resistance decreases with increasing temperature



Micro actuator can be installed

额定电压电流/Rated Voltage/Current	480V AC/16A
绝缘电阻/Insulate Resistance	>5MΩ, 500V DC 1min
耐压/Withstanding Voltage	L, N and PE, 2500V AC 1min L and N, 2500V AC 1min
防护等级/Ingress Protection	IP54
插拔寿命/Insertion/Pullout Times	10,000 Times
插拔力/Insertion/Pullout Force	<100N
使用温度范围/Operating temperature(°C)	-30~+50
线材规格/Cable specification	/
标准/Reference standard	IEC 62196-2:2016
符合RoHS环保要求/Conform to RoHS	Yes

MATERIAL: /	SURFACE: /	
MAT NO.: /	宁波高松电子有限公司 NINGBO DEGSON ELECTRICAL CO., LTD	
STATUS: /		
APPD:	NAME: Socket-Outlet (32A AC Three-phase)	
CHKD:	FEAC-T-016A-P4-03-0.0M-00A(H)	
DRFT: Jason.Chen 2022-03-23	DRAWING NO.:	REV D0-1
SIZE: A4	TYPE: CUSTOMER_DRAWING	SCALE: 1:2 SHEET 1/1

Transfer or duplication of this document as well as the utilization or communication of its contents are prohibited unless explicit authorization is granted. Violations will be liable for compensation. All rights reserved for patent, utility, model or designs registrations. 除非给予明确授权，否则禁止转让、复制、利用、交还本文件的内容。侵犯者将承担法律责任。本公司保留对涉及发明、实用新型和外观设计的所有权利。