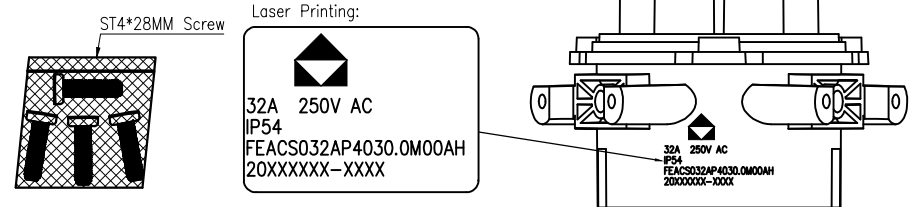
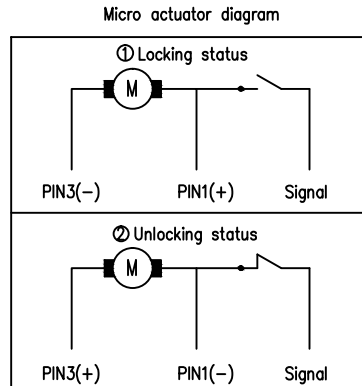
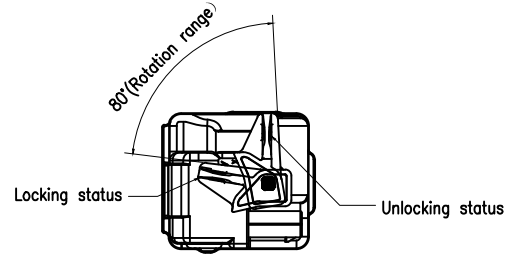
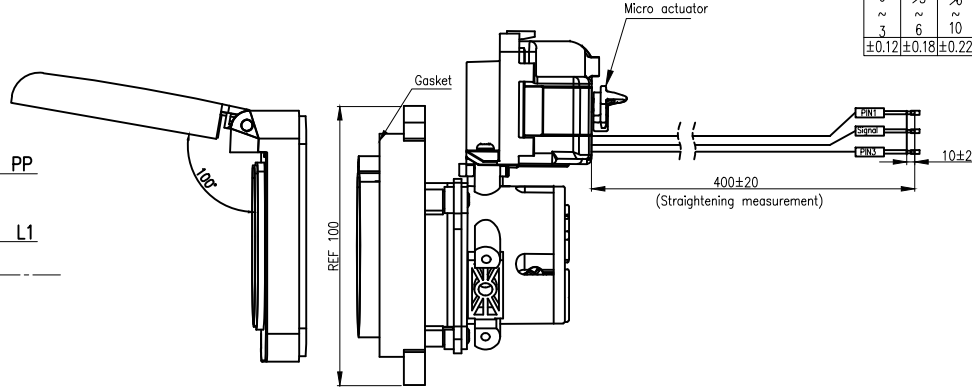
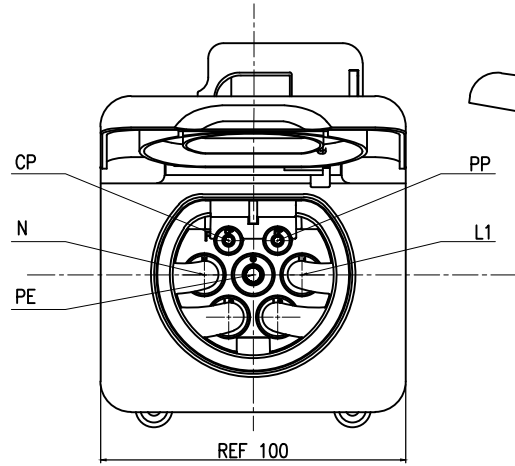


未注公差/General tolerances(mm)											
0	>3	>6	>10	>18	>30	>50	>80	>120	>180	>250	0.1/10
3	6	10	18	30	50	80	120	180	250	>500	
±0.12 ±0.18 ±0.22 ±0.26 ±0.31 ±0.37 ±0.57 ±0.80 ±0.93 ±1.05 ±1.15 ±1.60 ±2.20 ±2.50											
±2'											

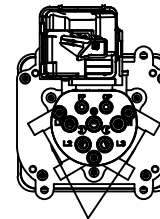


Connection Mode:

L1	Red (6mm ²)	L1
N	Blue (6mm ²)	N
PE	Yellow/Green (6mm ²)	PE
PP	Black (0.75mm ²)	PP
CP	Red (0.75mm ²)	CP
NTC	White (28AWG)	T1
	White (28AWG)	T2
Micro Actuator	Green (18AWG)	PIN1
	Blue (18AWG)	PIN2 (Signal)
	Red (18AWG)	PIN3



Micro actuator parameters:
 Rated Voltage: DC 12V
 Operating Voltage : 9-15.5 V
 Current consumption: <2.4A
 Reactive Time: 40ms < t < 200ms
 ① PIN 1 +, PIN3 -: The switch will be disconnected in Locking status
 ② PIN 1 -, PIN3 +: The switch will be connected in unlocking status
 PIN 2: signal
 H -Bridge is necessary for polarity change



Micro actuator can be installed

额定电压/Rated voltage/Current	250V AC/32A
绝缘电阻/Insulation resistance	>100MΩ, 500V DC 1min
耐压/Withstanding voltage	L, N and PE ,2500V AC 1min L and N ,2500V AC 1min
防护等级/Ingress protection	IP54
插拔寿命/Insertion/Pullout times	10,000 times
插拔力/Insertion/Pullout force	<100N
使用温度范围/Operating temperature(°C)	-30~+50
标准/Reference standard	IEC 62196-2:2016
符合RoHS环保要求/Conform to RoHS	Yes

		MATERIAL:	SURFACE/COLOR:		
APPD: Ye DB 2024.09.13		MAT NO/REV:	D0-1 MAT STATUS:		
CHKD: Dong RT 2024.09.13		NAME FEAC-S-032A-P4-03-0.0M-00A(H)			
DRFT: Rong QX 2024.09.13		DRAWING NO.	TYPE	DRAWING STATUS	SCALE
A4			CUSTOMER DRAWING		1:3
					SHEET 1/1

REV	ECN	DESCRIPTION	DRFT	DATE

Transfer or duplication of this document as well as the utilization or communication of its contents are prohibited unless explicit authorization is granted. Violations will be liable for compensation. All rights reserved for patent, utility model or design registrations. 未经许可复制或传播本文件内容，或在本文件内容中复制或进行其他任何行为，均属于侵权行为。本公司保留对涉及专利、实用新型或外观设计等权利的所有权。