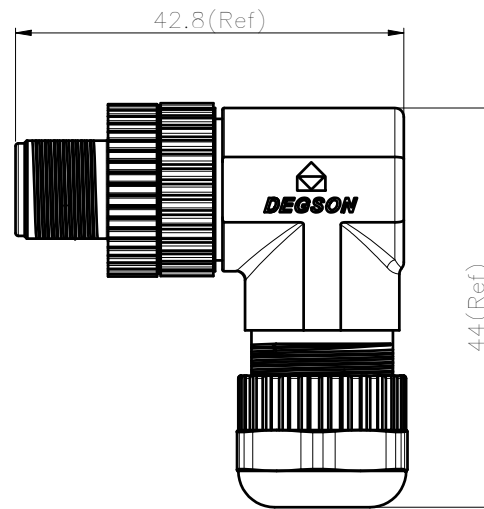
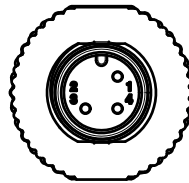
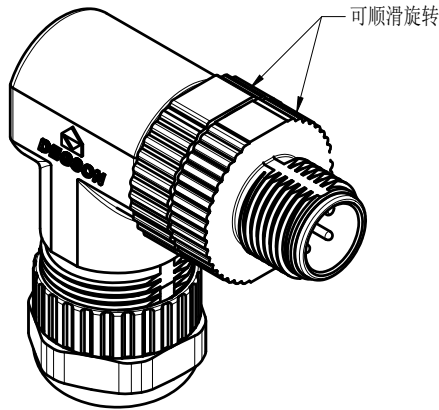
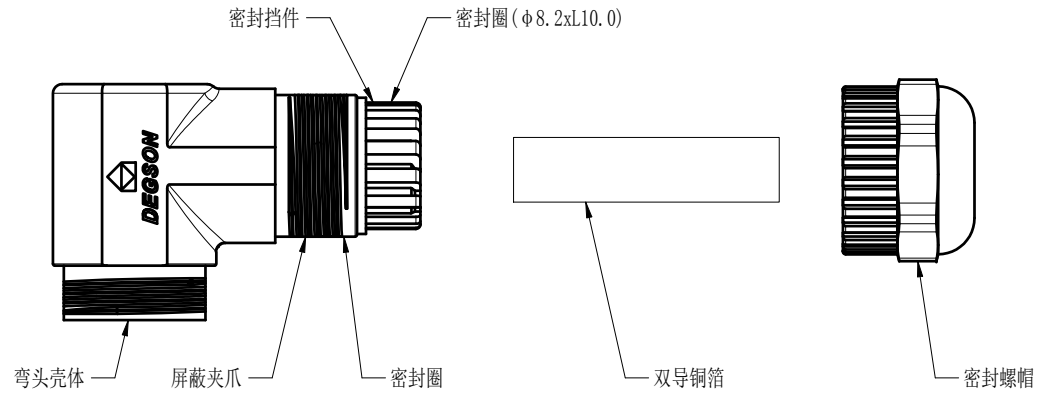
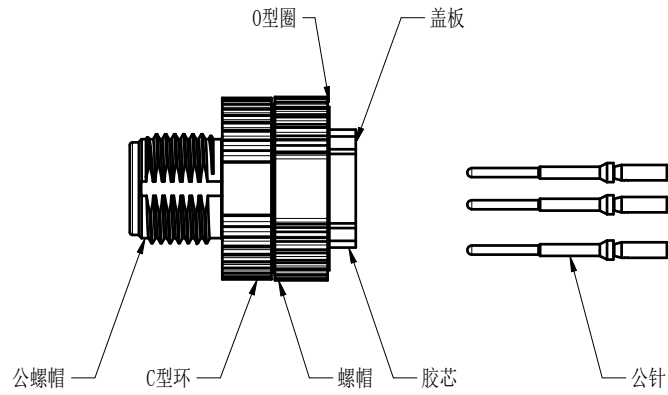
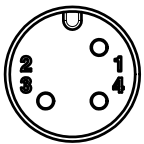


尺寸公差(mm)					0.05/10 ±1'
0 ~ 30	>30 ~ 60	>60 ~ 100	>100 ~ 150	>150	
±0.20	±0.30	±0.50	±0.70	±1.00	



技术要求/Technical requirements:	
额定电压/Rated Voltage/Current	250V AC/4A
绝缘电阻/Insulate Resistance	>100MΩ
耐压/Withstanding Voltage	1500V AC 1min
防护等级/Ingress Protection	IP67
插拔寿命/Insertion/Pullout Times	100 Cycles
插拔力/Insertion/Pullout Force	<30N
使用温度范围/Operating temperature(°C)	-25°+105
重点管控符号/Key controlled symbol	*
包装规范/Packaging specification	SOP-Y-3383
接线方式/Terminal	Crimping
螺丝扭矩/Tightening torque(N·m/Lb.in)	M12x1.0, 3~4kgf.cm
	M17x1.0, 4~6kgf.cm
线径范围/Wire range(AWG/mm²)	24~20/0.25~0.5



Pin Assignments
Front View

00					
REV	ECN	DESCRIPTION	DRFT	DATE	

		MATERIAL:	SURFACE/COLOR:		
APPD:		MAT NO./REV: 20030002373-1 / 00	MAT STATUS: 批量		
CHKD:		NAME			
DRFT:		PCSH-M12A-03P-MM-SR7002-00A (H)			
DRAWING NO. 200108827		TYPE CUSTOMER DRAWING	DRAWING STATUS work	SCALE 2:1	SHEET 1/1

Transfer or duplication of this document as well as the utilization or communication of its content are prohibited unless authorized in writing by DEGSON. All rights reserved for patent, utility model or design registrations. 除专利、实用新型、外观设计、商标、注册、著作权等文件外，其他文件均受法律保护。未经授权，不得复制或传播。 除专利、实用新型、外观设计、商标、注册、著作权等文件外，其他文件均受法律保护。 除专利、实用新型、外观设计、商标、注册、著作权等文件外，其他文件均受法律保护。