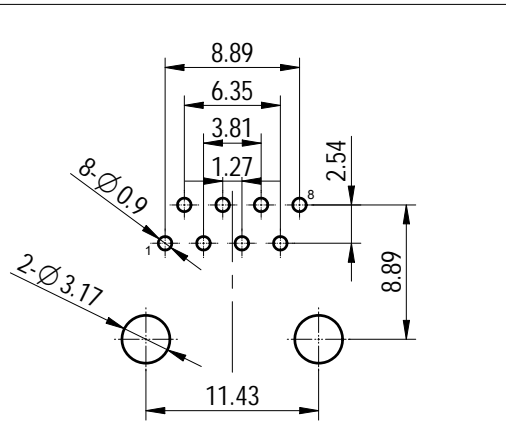
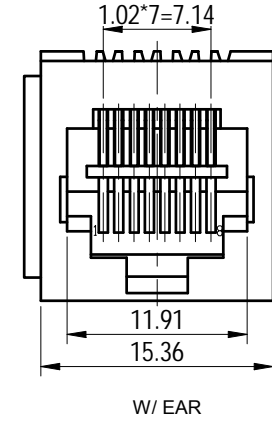
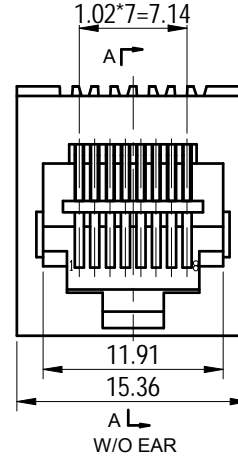
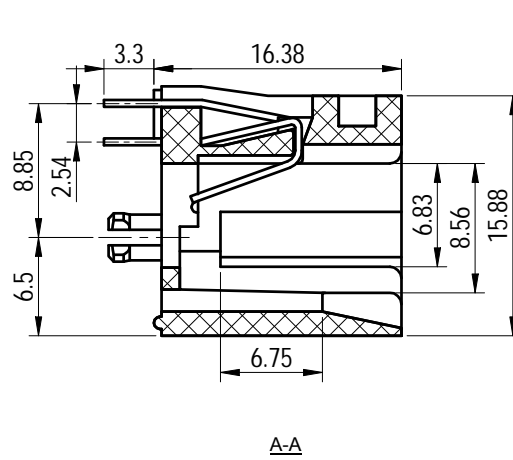
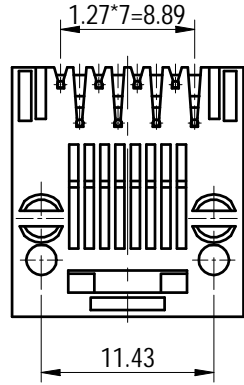


Transfer or duplication of this document as well as the utilization or communication of its contents are prohibited unless explicit authorization is granted. Violations will be liable for compensation. All rights reserved for patent, utility model or design registrations. 除专利与商标权外, 未经授权, 复制或传播此文件, 或向第三方提供, 均视为侵权行为。本公司保留所有权利。



RECOMMEND PCB LAYOUT
TOLERANCE=±0.05mm

SPECIFICATION

1. Insulation Resistance:1000MΩ Min.
2. Withstand Voltage:500V AC/Minute.
3. Durability:600 Mating Cycles Min.
4. Contact Resistance: 50mΩ Max.
5. Product Number Code:

DG1134 - 06 - X X X X

- Ear Support
- S:W/ Ear
- X:W/O Ear
- Housing Color
- B:Black
- A:Gray
- Contact Plating
- 0:Gold Flash
- 3:Selective 3u" Gold (6;15;30)Micro Inch
- No.Of Contacts
- 8:P8C
- 4:P4C
- Connector Type
- S:Socket

GENERAL TOLERANCE			MATERIAL:	SURFACE/COLOR:
X. ±0.60	X ±0.38		MAT NO./REV: / 00	MAT STATUS: 批量
XX ±0.25		APPD: 兰春华 2023.08.14	NAME	
		CHKD: 陈招 2023.08.14	DG1134-06-XXXX	
		DRFT: 唐本恒 2023.08.11	DRAWING NO. 200035071	TYPE CUSTOMER DRAWING
00	ECN	唐本恒 2023.08.11	DRAWING STATUS 已发布	SCALE 1:1
REV	DESCRIPTION	DRFT DATE		SHEET 1/1