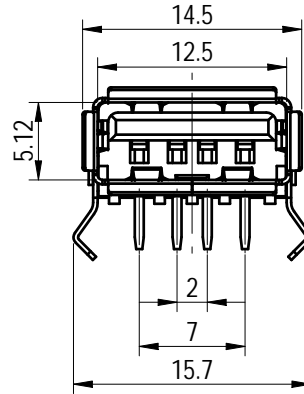
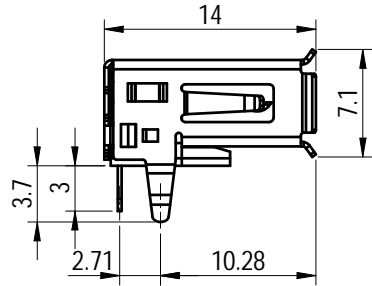
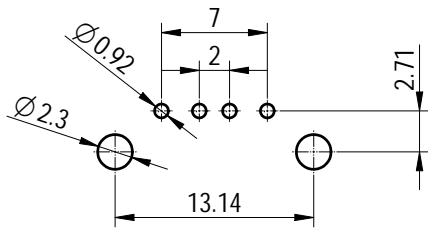
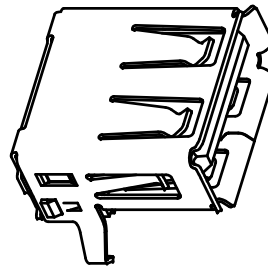
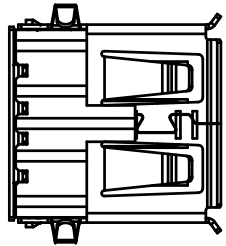
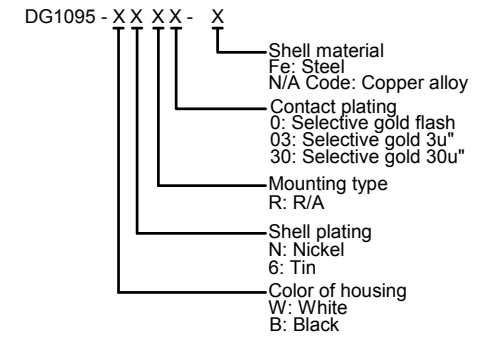


Transfer or duplication of this document as well as the utilization or communication of its contents are prohibited without express authorization by Degson. Violations will be liable for compensation. All rights reserved for patent, utility model or design registrations. 除专利等明确授权外，否则禁止转让、复制、引用、交流等文件的所有权。



- Notes:
- Specifications:
- Contact Resistance: 30mΩ Max.
 - Insulation Resistance: 1000MΩ Min.
 - Dielectric Withstanding Voltage: 750V AC(rms) For 1 Minute.
 - Current Rating: 1.5A Max
 - Voltage Rating: 30V Max
 - Temperature: -40°C~+85°C.

- Materials:
- Contact Material: Copper Alloy.
 - Shell Material: Copper Alloy or Steel.
 - Insulator Material: Thermoplastic, Black or White.
- Mechanical Characteristics:
- Mating Force: 3.57Kgf Maximum.
 - Unmating Force: 1.02Kgf Minimum.
 - Durability: 1500 Cycles
- Product Number Code:



RECOMMEND PCB LAYOUT
(TOLERANCE=±0.05)

GENERAL TOLERANCE			MATERIAL:	SURFACE/COLOR:
X.	±0.60		MAT NO./REV:	/ 00
X	±0.38	APPD: 兰春华	2023.08.01	
XX	±0.25	CHKD: 陈招	2023.08.01	
		DRFT: 唐本恒	2023.08.01	
		NAME DG1095-XXXX-X		
00		唐本恒	2023.08.01	
REV	ECN	DESCRIPTION	DRAWING NO.	TYPE
			200035053	CUSTOMER DRAWING
			DRAWING STATUS	SCALE
			已发布	2:1
			SHEET	1/1