

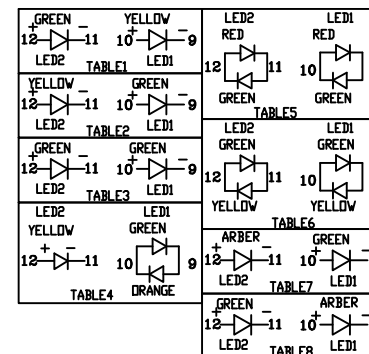
Notes:

- 1. Electrical Characteristics:
  - 1.1 Contact Resistance: 20mΩ Max.
  - 1.2 Dielectric Withstanding Voltage: 500V AC(rms) For 1 Minute.
  - 1.3 Insulation Resistance: 1000MΩ Min.
  - 1.4 Current Rating:1.5A.
  - 1.5 Voltage Rating:150V AC rms.
- 2. Environment Characteristics:
  - 2.1 Temperature: -40°C~+85°C.
- 3. Materials:
  - 3.1 Contact Material: Copper Alloy.
  - 3.2 Contact Plating: Selective Gold Flash.
  - 3.3 Insulator Materials: PBT,UL94-V0.
- 4. Product Number Code:

DG1129-04-X X X X X - X X

- LED Type
  - 1: See Table
  - 2: See Table .....
- Shell Type
  - S:W/ Shrapnel
  - X:W/O Shrapnel
- Housing Materials
  - P:PBT
- Contact Plating
  - 0:Selective Gold Flash
  - J:Selective 6u" Gold
  - 5:Selective 15u" Gold
  - 3:Selective 30u" Gold
- Housing Color
  - B:Black
- No. Of Contacts
  - 8:8p8c
- Connector Type
  - S:Socket

TYPE	Contact Plating				Shell Type (Shrapnel)	LED TABLE
	G/F	6u"	15u"	30u"		
1	W/	W/	W/O	W/	W/	TABLE1
2	W/	W/	W/	W/	W/ or W/O	TABLE2
3	W/	W/	W/O	W/	W/	TABLE3
4	W/	W/	W/O	W/O	W/ or W/O	TABLE4
5	W/	W/O	W/O	W/O	W/	TABLE5
6	W/O	W/O	W/O	W/O	W/	TABLE6
7	W/	W/O	W/O	W/O	W/	TABLE7
8	W/O	W/O	W/O	W/	W/	TABLE8



(Series Image-Reference Only)

GENERAL TOLERANCE			MATERIAL:		SURFACE/COLOR:	
X	±0.60		MAT NO./REV: / 00		MAT STATUS: 批量	
X	±0.38	APPD: 兰春华	2023.08.10	NAME:		
XX	±0.25	CHKD: 陈超	2023.08.10	DG1129-04-XXXX-XX		
00		DRFT: 唐本恒	2023.08.10	DRAWING NO.	TYPE	DRAWING STATUS
REV	ECN	DATE	DRFT	200035073	CUSTOMER DRAWING	SCALE
						1/1