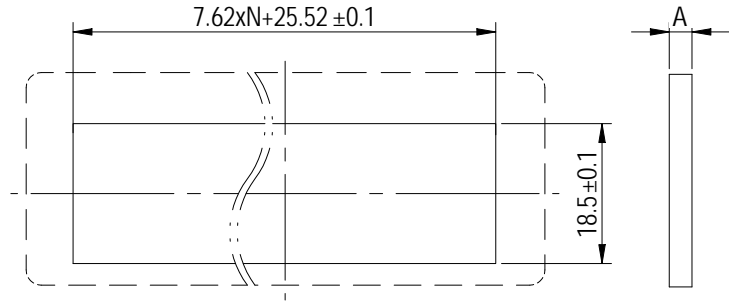
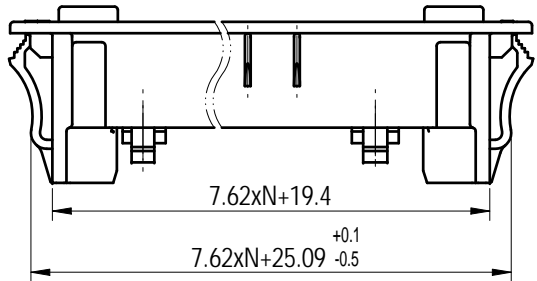
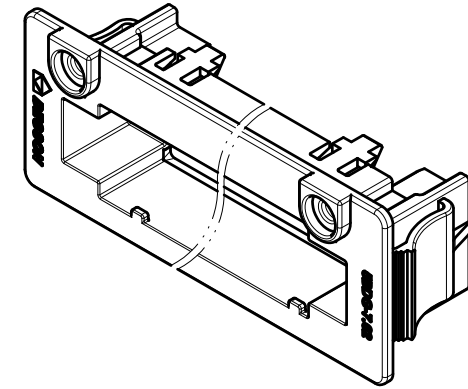
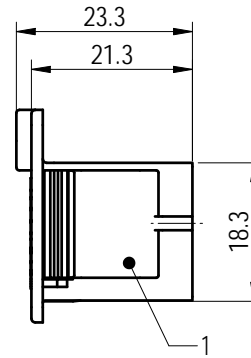
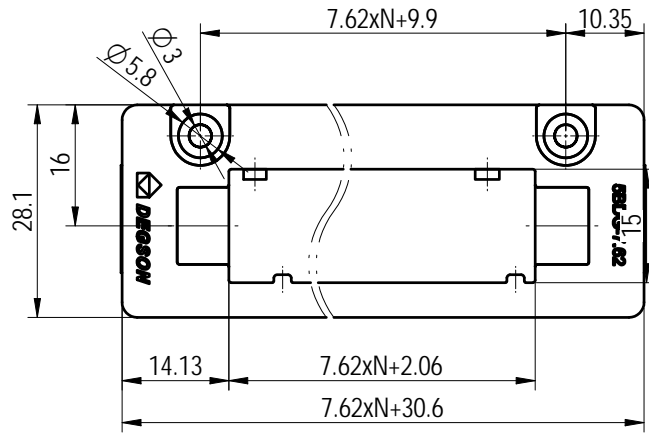


PCB LAYOUT



Dim. A (mm)	Tolerance
0.5	0 -0.2
1.0	0 -0.2
1.5	0 -0.2
2.0	0 -0.2
2.5	0 -0.2

未注公差/General tolerances(mm)												0.1/10 ±2'	
0 ~ 3	>3 ~ 6	>6 ~ 10	>10 ~ 18	>18 ~ 30	>30 ~ 50	>50 ~ 80	>80 ~ 120	>120 ~ 180	>180 ~ 250	>250 ~ 315	>315 ~ 400		>400 ~ 500
±0.12	±0.18	±0.22	±0.26	±0.31	±0.37	±0.57	±0.80	±0.93	±1.05	±1.15	±1.60	±2.20	±2.50



1	Housing	PA66	UL94V-0
ITEM	NAME OF PART	MATERIAL	NOTES
间距/Pitch(mm)/线数范围/Poles			7.62/N=02~12P
使用温度范围/Operating temperature(°C)			-40~+105
符合RoHS环保要求/Conform to RoHS			Yes

<b>DEGSON</b>		MATERIAL: PA66	SURFACE/COLOR:	
APPD: 兰春华 2023.06.07		MAT NO./REV: - / 00	MAT STATUS: 批量	
CHKD: 龚耀志 2023.06.07		NAME		
DRFT: 周锡锦 2023.06.07		5BDG-7.62-XXP-1Y-00Z (H)		
DRAWING NO.	TYPE	DRAWING STATUS	SCALE	SHEET
200174115	CUSTOMER DRAWING	work	1:1	1/1

REV	ECN	DESCRIPTION	DRFT	DATE
01		1x. 卡扣结构变更	周锡锦	2023.06.07

Transfer or duplication of this document as well as the utilization or communication of its contents are prohibited unless authorized in advance. Violations will be punished. Weights reserved for patent. 未经授权复制或传播本文件内容，或在本文件内容基础上进行再开发、修改、应用、制造等行为均属于侵权行为。本公司保留对涉及发明、实用新型及外观设计专利的权利。