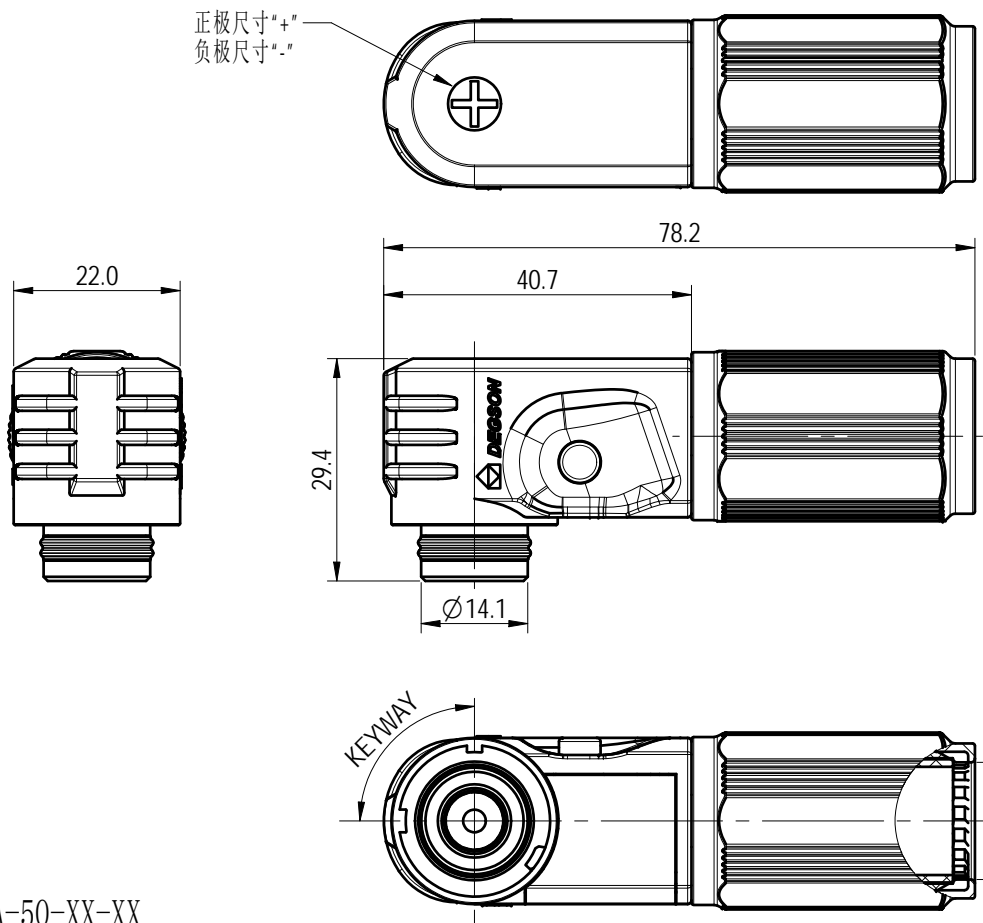


尺寸公差(mm)					0.05/10 ±1'
0	>30	>60	>100	>150	
~	~	~	~	~	
±0.20	±0.30	±0.50	±0.70	±1.00	

正极尺寸"+"
负极尺寸"-"

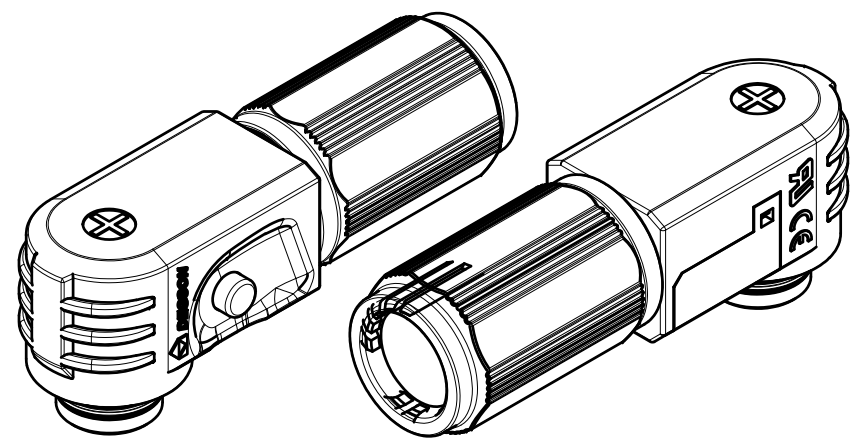


技术要求/Technical requirements:	
颜色/Color	Black, Orange, Red
锁紧方式/Locking method	卡扣(Buckle)
接线方式/Terminal	Crimp
外壳材料/Housing material	PA+GF
接触件材料/Connector material	铜合金(Copper alloy)
插入力/Insertion force	100N Max
拔出力/Withdrawal force	>10N
插拔次数/Mechanical working life(mating cycles)	100
接线规格/Wiring specifications	1/0AWG or 50mm ²
线径OD(Wire diameter)	12.5~14mm
建议剥线长度/Suggested stripping length	13~14mm
额定电压/Rated voltage	1500V DC
额定电流/Rated current	200A
绝缘电阻/Insulate resistance	≥5000MΩ (drying)
耐电压/Withstanding voltage	6800V/min
接触电阻/Contact resistance	≤0.5mΩ
过电压等级/Overvoltage category	III
污染等级/Pollution degree	3
防护等级/Ingress protection	IP67 (Mated)
使用温度范围/Operating temperature(° C)	-40~+125(including temperature rise)
盐雾/Salt spray	48H
储存温度/Storage temperature(° C)	-40~+85
阻燃等级/Flame retardant ability	UL94-V0
符合RoHS环保要求/Conform to RoHS	Yes
UL4128认证/UL4128 certification	E526028
TUV认证/TUV certification	50581738
满足户外使用/Satisfy outdoor use	Yes

ESP-200A-50-XX-XX

Keyway: 90:90° 正极
18:180° 负极

Color: BK:Black 负极
OR:Orange 正极
RD:Red 正极



		MATERIAL:	SURFACE/COLOR:		
APPD: 刘剑 2024.01.24		MAT NO./REV:	MAT STATUS:		
CHKD: 于进海 2024.01.21		NAME			
DRFT: 张晓璐 2024.01.17		ESP-200A-50-XX-XX			
REV	ECN	DESCRIPTION	DRFT	DATE	
01					
		DRAWING NO.	TYPE	DRAWING STATUS	SCALE SHEET
		200268716	CUSTOMER DRAWING		2:1 1/1

Transfer or duplication of this document as well as the utilization or communication of its content are prohibited unless expressly permitted. All rights reserved for patent. 未经授权复制或传播本文件内容，以及利用其内容进行任何形式的使用，均属于侵权行为。保留所有权利。如有侵权，请联系法务部处理。