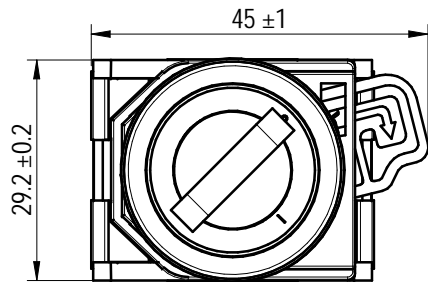


Transfer or duplication of this document as well as the utilization or communication of its contents are prohibited unless authorized in general. Violations will be liable for compensation. All rights reserved for patent, utility model or design registrations. 除专利、实用新型、外观设计、发明专利、软件著作权、集成电路布图设计专有权、商业秘密和与经营活动有关的知识产权外，其他权利均归本公司所有。未经许可，不得复制或传播。 未经授权，不得复制或传播。 未经授权，不得复制或传播。

未注公差/General tolerances (mm)												0.1/10 ±2'		
0 ~ 3	>3 ~ 6	>6 ~ 10	>10 ~ 18	>18 ~ 30	>30 ~ 50	>50 ~ 80	>80 ~ 120	>120 ~ 180	>180 ~ 250	>250 ~ 315	>315 ~ 400		>400 ~ 500	>500
±0.12	±0.18	±0.22	±0.26	±0.31	±0.37	±0.57	±0.80	±0.93	±1.05	±1.15	±1.60	±2.20	±2.50	



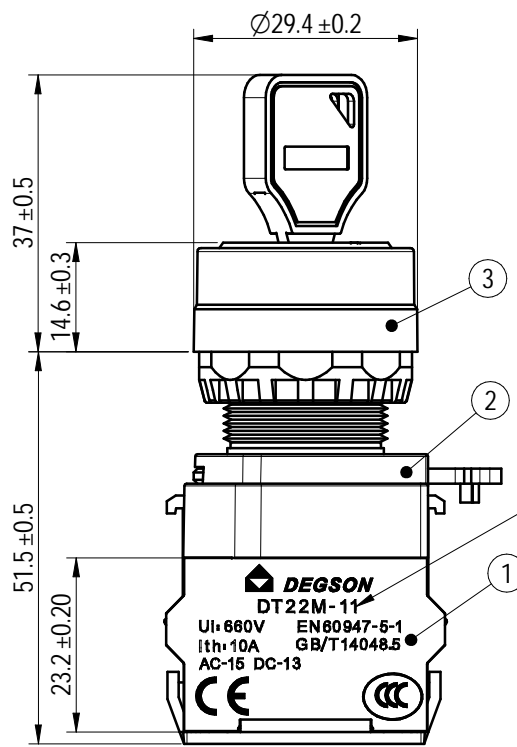
DT22M - KXX X / Y

(Series No.)

(Color): BL: (Black)

(Contact form): 10: 1NO  
01: 1NC  
11: 1NO1NC  
20: 2NO  
02: 2NC

(Type of actuator): K2R: key-lock selector 2 switch reset  
K2L: key-lock selector 2 switch lock  
K3R: key-lock selector 3 switch reset  
K3L: key-lock selector 3 switch lock



Print content with the name of the product

ITEM	NAME OF PART	MATERIAL	NOTES
3	Button head	/	/
2	Holding screw	/	/
1	Contact module	/	/

使用温度范围/Operating temperature(°C)	-25~+55(无冰冻)
使用湿度范围/Operating humidity(%RH)	45~85
接触电阻/Contact resistance(mΩ)	≤50
绝缘电阻/Insulation resistance(mΩ)	≥100
工频耐压/Power frequency withstand voltage	1890VAC/50Hz/60s
耐振动性/Vibration resistance	振幅约1.0mm/50Hz
耐冲击性/Shock resistance	>10g
机械寿命/Mechanical life	≥50万次
电气寿命/Electrical life	≥20万次
接线/Connection	螺纹连接, 线直径2x1.5mm 最大界限插片 6.3x0.8mm
符合RoHS环保要求/Conform to RoHS	Yes
标准颜色编号/Standard color number: PANTONE / RAL	/

DEGSON		MATERIAL:	SURFACE/COLOR:
APPD: 李根旁	2022.10.12	MAT NO./REV: / 00	MAT STATUS: 批量
CHKD: 马恩开	2022.10.12	NAME DT22M-KXXX/Y	
DRFT: 马恩开	2022.10.12	DRAWING NO. 200118608	TYPE CUSTOMER DRAWING
REV	ECN	DESCRIPTION	DRAWING STATUS work
00		New Drawing	SCALE 1:1
		马恩开	SHEET 1/1
		2022.10.12	

REV	ECN	DESCRIPTION	DRFT	DATE
00		New Drawing	马恩开	2022.10.12