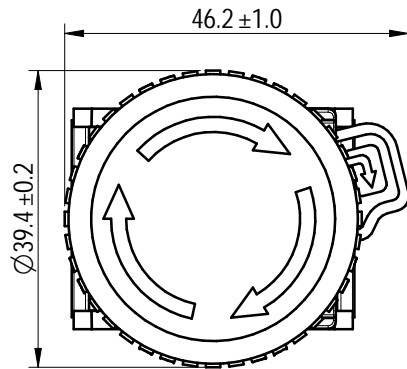


未注公差/General tolerances(mm)											0.1/10 ±2'		
0 ~ 3	>3 ~ 6	>6 ~ 10	>10 ~ 18	>18 ~ 30	>30 ~ 50	>50 ~ 80	>80 ~ 120	>120 ~ 180	>180 ~ 250	>250 ~ 315		>315 ~ 400	>400 ~ 500
±0.12	±0.18	±0.22	±0.26	±0.31	±0.37	±0.57	±0.80	±0.93	±1.05	±1.15	±1.60	±2.20	±2.50



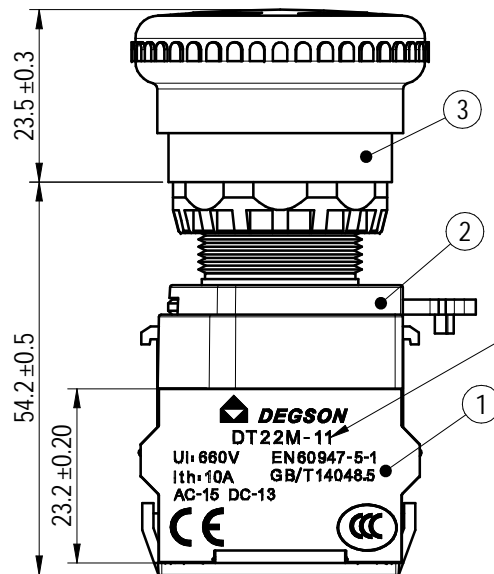
DT22M - EP X / Y

(Series No.)

(Color): RD: (Red)

(Contact form): 10: 1NO  
01: 1NC  
11: 1NO1NC

(Type of actuator): EP: Emergency



Print content with the name of the product

ITEM	NAME OF PART	MATERIAL	NOTES
3	Button head	/	/
2	Holding screw	/	/
1	Contact module	/	/

使用温度范围/Operating temperature(°C)	-25~+55(无冰冻)
使用湿度范围/Operating humidity(%RH)	45~85
接触电阻/Contact resistance(mΩ)	≤50
绝缘电阻/Insulation resistance(mΩ)	≥100
工频耐压/Power frequency withstand voltage	1890VAC/50Hz/60s
耐振动性/Vibration resistance	振幅约1.0mm/50Hz
耐冲击性/Shock resistance	>10g
机械寿命/Mechanical life	≥30万次
电气寿命/Electrical life	≥20万次
接线/Connection	螺钉连接, 线直径2x1.5mm 最大界限插片 6.3x0.8mm
符合RoHS环保要求/Conform to RoHS	Yes
标准颜色编号/Standard color number: PANTONE / RAL	/

DEGSON		MATERIAL:	SURFACE/COLOR:
APPD: 李根芳	2022.10.12	MAT NO./REV: / 00	MAT STATUS: 小批量
CHKD: 马恩开	2022.10.12	NAME DT22M-EPX/Y	
DRFT: 马恩开	2022.10.12	DRAWING NO.	TYPE
REV	ECN	200113145	CUSTOMER DRAWING
DESCRIPTION		DRAWING STATUS	SCALE
DRFT: 马恩开		work	1:1
DATE		SHEET	1/1
A4			

REV	ECN	DESCRIPTION	DRFT	DATE
00		New Drawing	马恩开	2022.10.12

Transfer or duplication of this document as well as the utilization or communication of its contents are prohibited unless authorized in general. All rights reserved for patent. 除专利等明确标注外, 未经许可, 不得复制或传播。 除专利等明确标注外, 未经许可, 不得复制或传播。 除专利等明确标注外, 未经许可, 不得复制或传播。