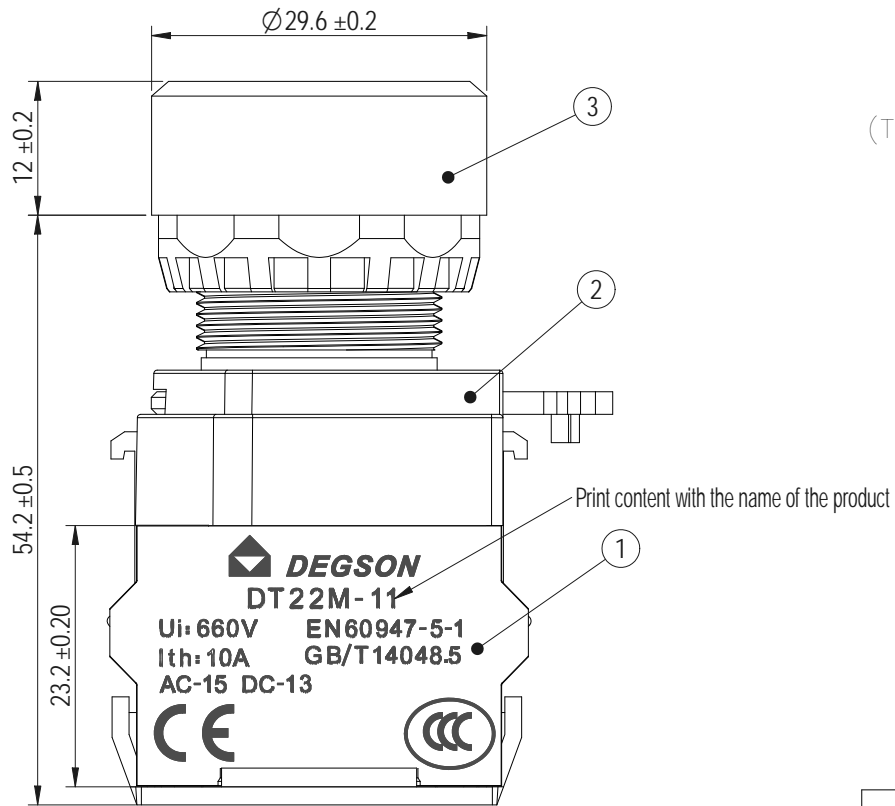
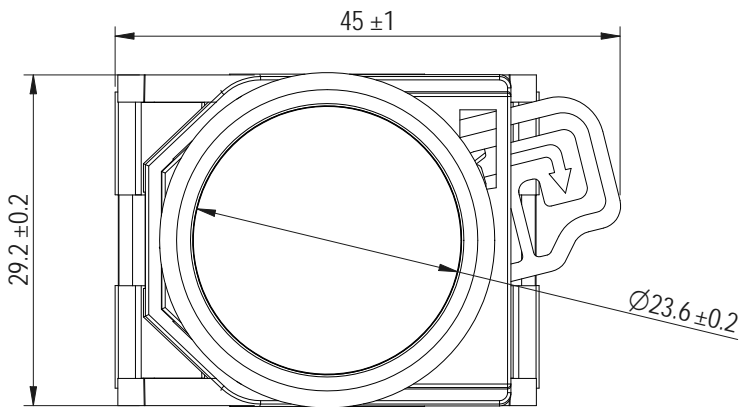


Transfer or duplication of this document as well as the utilization or communication of its contents are prohibited unless authorized in writing by Degson. All rights reserved for patent, utility model or design registrations. 除专利权明确标注、复制、印刷、光磁等文件外，其他任何形式的复制、使用、光磁等文件均受法律保护。未经授权，不得复制或传播。 Degson 保留所有权利。



| 未注公差/General tolerances (mm) | | | | | | | | | | | | | 0.1/10 | |
|------------------------------|--------|---------|----------|----------|----------|----------|-----------|------------|------------|------------|------------|------------|--------|------|
| 0 ~ 3 | >3 ~ 6 | >6 ~ 10 | >10 ~ 18 | >18 ~ 30 | >30 ~ 50 | >50 ~ 80 | >80 ~ 120 | >120 ~ 180 | >180 ~ 250 | >250 ~ 315 | >315 ~ 400 | >400 ~ 500 | | >500 |
| ±0.12 | ±0.18 | ±0.22 | ±0.26 | ±0.31 | ±0.37 | ±0.57 | ±0.80 | ±0.93 | ±1.05 | ±1.15 | ±1.60 | ±2.20 | ±2.50 | ±2' |

DT22M - FX X / Y

(Series No.)

(Color): RD: (Red)
 GN: (Green)
 YE: (Yellow)
 WH: (White)
 BU: (Blue)
 BL: (Black)

(Contact form): 10: 1NO
 01: 1NC
 11: 1NO1NC
 20: 2NO
 02: 2NC

(Type of actuator): FR: flat reset
 FL: flat lock

| ITEM | NAME OF PART | MATERIAL | NOTES |
|------|----------------|----------|-------|
| 3 | Button head | / | / |
| 2 | Holding screw | / | / |
| 1 | Contact module | / | / |

| | |
|---|--------------------------------------|
| 使用温度范围/Operating temperature(°C) | -25~+55(无冰冻) |
| 使用湿度范围/Operating humidity(%RH) | 45~85 |
| 接触电阻/Contact resistance(mΩ) | ≤50 |
| 绝缘电阻/Insulation resistance(mΩ) | ≥100 |
| 工频耐压/Power frequency withstand voltage | 1890VAC/50Hz/60s |
| 耐振动性/Vibration resistance | 振幅约1.0mm/50Hz |
| 耐冲击性/Shock resistance | >10g |
| 机械寿命/Mechanical life | ≥200万次 |
| 电气寿命/Electrical life | ≥20万次 |
| 接线/Connection | 螺纹连接, 线直径2x1.5mm 最大界限插片 6.3x0.8mm |
| 符合RoHS环保要求/Conform to RoHS | Yes |
| 标准颜色编号/Standard color number: PANTONE / RAL | / |

| DEGSON | | MATERIAL: | SURFACE/COLOR: |
|----------------------|------------|-------------------|------------------|
| APPD: 李根芳 | 2024.01.26 | MAT NO./REV: / 00 | MAT STATUS: work |
| CHKD: 马恩开 | 2024.01.26 | NAME | |
| DRFT: 姜海文 | 2024.01.26 | DT22M-FXX/Y | |
| REV | ECN | DRAWING NO. | TYPE |
| Added specifications | 姜海文 | 200268327 | CUSTOMER DRAWING |
| DESCRIPTION | DATE | DRAWING STATUS | SCALE |
| | | work | 1.5:1 |
| | | SHEET | 1/1 |

| REV | ECN | DESCRIPTION | DRFT | DATE |
|-----|-----|----------------------|------|------------|
| 01 | / | Added specifications | 姜海文 | 2024.01.26 |