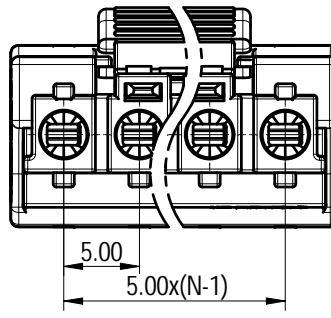
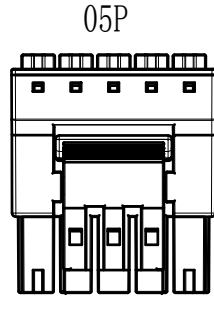
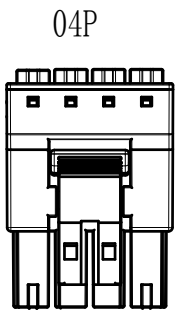
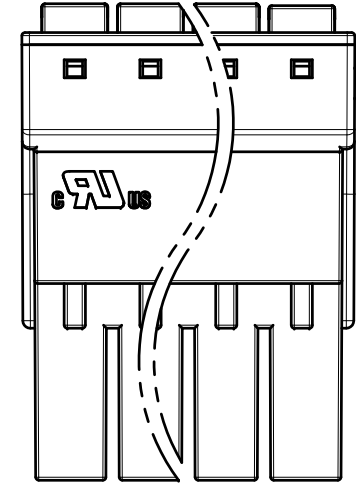
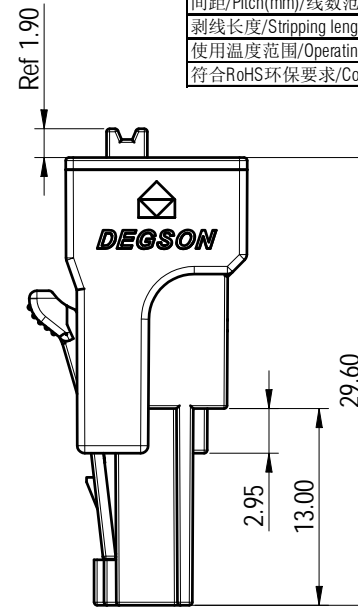
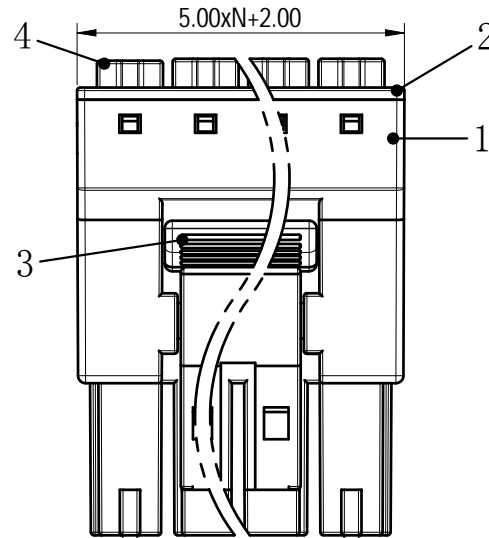
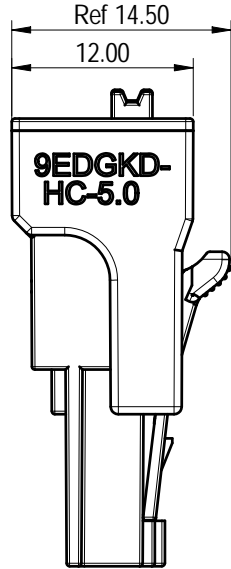
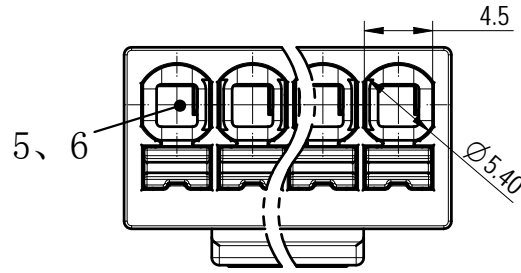
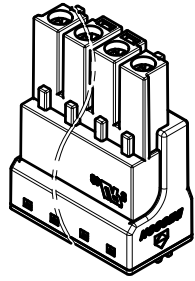


未注公差/General tolerances (mm)											0.1/10 ±2'		
0	>3	>6	>10	>18	>30	>50	>80	>120	>180	>250		>315	>400
~3	~6	~10	~18	~30	~50	~80	~120	~180	~250	~315	~400	~500	
±0.12	±0.18	±0.22	±0.26	±0.31	±0.37	±0.57	±0.80	±0.93	±1.05	±1.15	±1.60	±2.20	±2.50

比例 1: 1



比例 1: 1

Notes: The A&Z(H) in the name means:A(H) and Z(H)

ALL even-number Products use 02P Locker,  
ALL odd-number Products use 03P Locker

REV	ECN	DESCRIPTION	DRFT	DATE
00	/	产品线数修订为02-10P	曹利彬	2023.12.18

UL 标准/UL Standard:	B	C	D
额定电压/电流/Rated Voltage(V)/Current(A)	300/20	/	300/10
UL 标准/UL Standard:	F(III/3)	/	/
额定电压/电流/Rated Voltage(V)/Current(A)	500/20	/	/
额定脉冲电压(KV)/Rate Impulse Voltage(KV)	4	/	/
IEC 标准/IEC Standard:			
过压类别/Overvoltage Category/污染等级/Pollution Degree	III/3	III/2	/3
额定电压/电流/Rated Voltage(V)/Current(A)	500/20	630/20	1000/20
额定脉冲电压(KV)/Rate Impulse Voltage(KV)	4	4	4
线径范围(硬线和软线)/Wire Range(rigid and flexible)(AWG/mm²)	20~12 / 0.5~2.5		
间距/Pitch(mm)/线数范围/Poles	5.00/N=02-10P		
剥线长度/Stripping length(mm)	10~11		
使用温度范围/Operating temperature(°C)	-40~+105		
符合RoHS环保要求/Conform to RoHS	Yes		

ITEM	NAME OF PART	MATERIAL	NOTES
6	Spring	Stainless Steel	/
5	Clamp	Copper alloy	Sn Plated
4	Button	PA66+GF	UL94V-0
3	Locker	PA66+GF	UL94V-0
2	Cover	PA66	UL94V-0
1	Housing	PA66	UL94V-0

		MATERIAL: /	SURFACE/COLOR: /		
		MAT NO./REV: /	MAT STATUS: 批量		
APPD: 蓝贵凡	2022.09.14	NAME			
CHKD: /	/	9EDGKD-HC-5.0-XXP-1Y-00A&Z(H)			
DRFT: 曹利彬	2022.09.14	DRAWING NO.	TYPE	DRAWING STATUS	SCALE
		200109903	CUSTOMER DRAWING	已发行	2: 1
				SHEET	1/1

Transfer or duplication of this document as well as the utilization or communication of its contents are prohibited unless authorized in advance. Violations will be held for compensation. All rights reserved for patent, utility model or design registrations. 除专利、实用新型、外观设计、发明专利等知识产权外，本公司保留对涉及发明、实用新型、外观设计、发明专利等知识产权的所有权利。