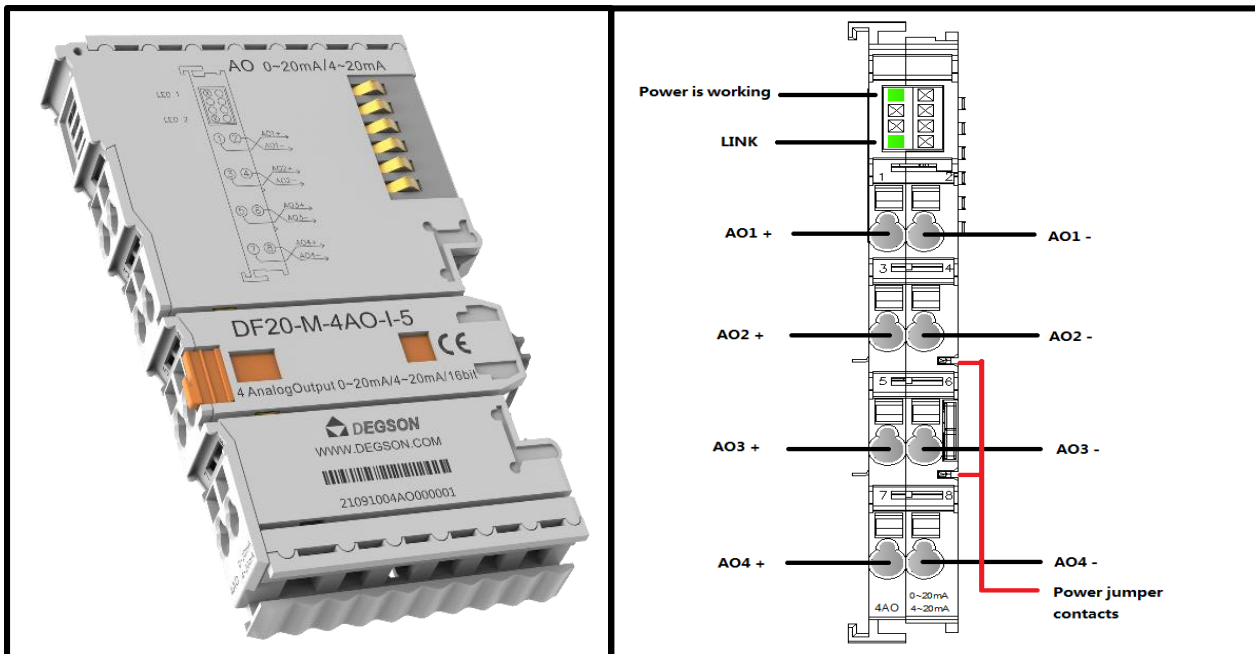


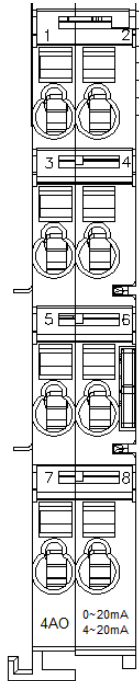
◆ 4 channel Analog output/current type/0~20mA,4~20mA (DF20-M-4AO-I-5)

- This analog output module generates standard 0~20mA,4~20mA signals.
- 4 channel Analog output , current type .
- The two LED indicators respectively indicate the normal operation and communication of the module.
- Field and system levels are Magnetic isolated.
- Transmitted with a resolution of 16 bits.
- Protection level IP20.



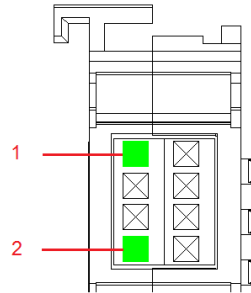
2. Hardware Interface

● Wiring Terminal



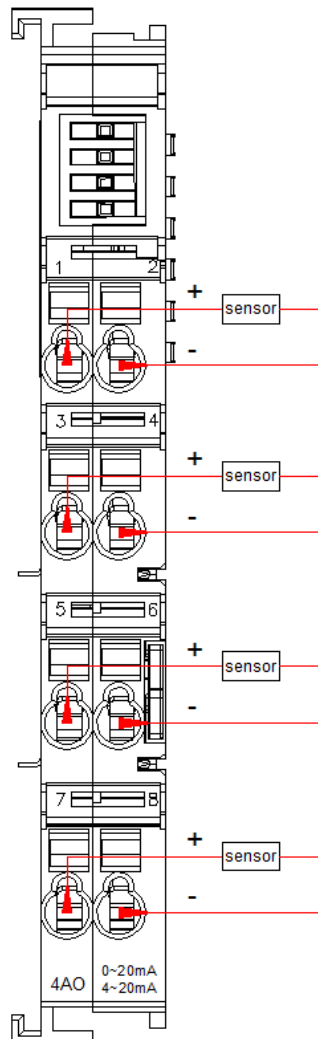
No.	Signal	Description
1	AO 1+	Current output channel1
2	AO 1-	
3	AO 2+	Current output channel2
4	AO 2-	
5	AO 3+	Current output channel3
6	AO 3-	
7	AO 4+	Current output channel4
8	AO 4-	

● LED Indicator



LED Indicator	State		Definition
1	Green:ON		Power Normal
	Green:OFF		Power Failure
2	Power-on	Green:ON	Module is being initialized
		Green:OFF	Module initialization is complete
	Running	Green: Flash	The module runs normally
		Green:OFF	Module operating fault

● Wiring



3.Process data definition

DF20-M-4AO-I-5 Module process data definition

Output data									
Bit No	Bit 7	Bit 6	Bit 5	Bit 4	Bit 3	Bit 2	Bit 1	Bit 0	Data type
Byte 0	Analog Output Data(Channel 1)								Uint16
Byte 1									
Byte 2	Analog Output Data(Channel 2)								Uint16
Byte 3									
Byte 4	Analog Output Data(Channel 3)								Uint16
Byte 5									
Byte 6	Analog Output Data(Channel 4)								Uint16
Byte 7									

Data description:

Analog Output Data(Channel 1~4): Analog signal Output value of corresponding channel.

Analog Output Data (DF20-M-4AO-I-5)						
(Profinet/Ethernet IP)			Other			
(0~20mA)	(4~20mA)	Decimal	(0~20mA)	(4~20mA)	Decimal	
>23.515	>22.810	32767	/	/	/	Overflow
23.515	22.81	32511	/	/	/	Exceed the upper limit
...				
20.0007	20.0005	27649				
20	20	27648	20	20	65535	Rated range
...	
...	
0	4	0	0	4	0	
<0.0	3.9995	-1	/	/	/	Exceed the lower limit
...				
...	1.1852	-4864				
/	<1.1852	-32768	/	/	/	Underflow

4. Machinery installation

● Dimension drawing

The installation size is shown in the following figure (unit: mm):

