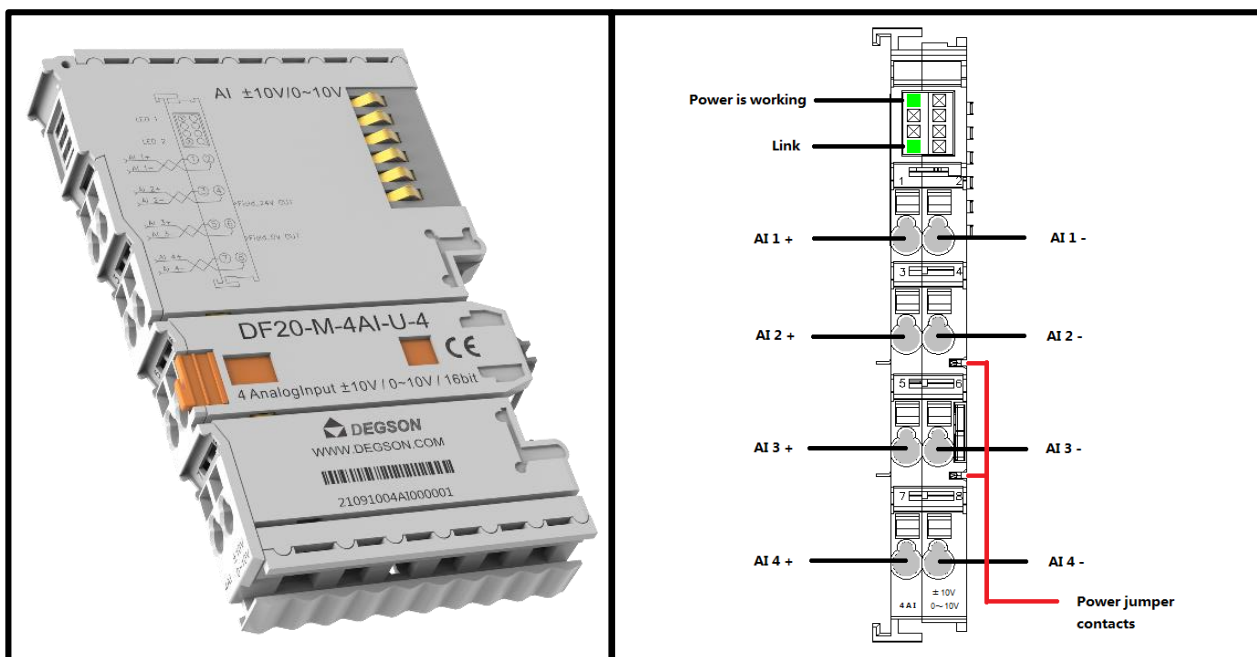


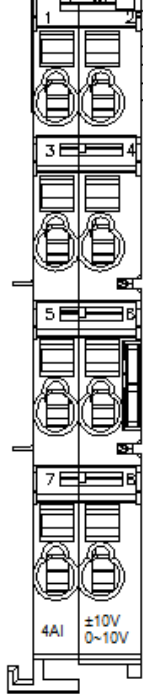
◆ 4 channel Analog input /voltage type / $\pm 10V$,0~10V(DF20-M-4AI-U-4)

- This analog input module processes standard $\pm 10V$,0~10V signals.
- 4 channel Analog input , voltage type .
- The two LED indicators respectively indicate the normal operation and communication of the module.
- Field and system levels are Magnetic isolated.
- Transmitted with a resolution of 16 bits.
- Protection level IP20.



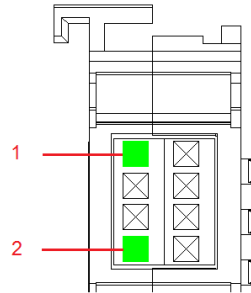
2. Hardware Interface

● Wiring Terminal



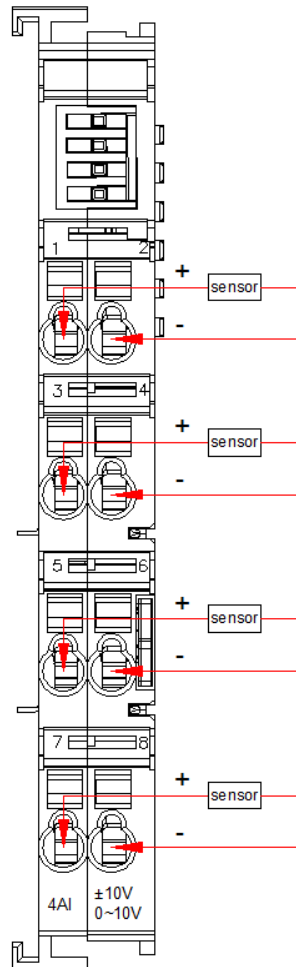
No.	Signal	Description
1	AI 1+	Voltage input channel1
2	AI 1-	
3	AI 2+	Voltage input channel2
4	AI 2-	
5	AI 3+	Voltage input channel3
6	AI 3-	
7	AI 4+	Voltage input channel4
8	AI 4-	

● LED Indicator



LED Indicator	State	Definition	
1	Green:ON	Power Normal	
	Green:OFF	Power Failure	
2	Power-on	Green:ON	Module is being initialized
		Green:OFF	Module initialization is complete
	Running	Green: Flash	The module runs normally
		Green:OFF	Module operating fault

● Wiring



3.Process data definition

DF20-M-4AI-U-4 Module process data definition

Input data									
Bit No	Bit 7	Bit 6	Bit 5	Bit 4	Bit 3	Bit 2	Bit 1	Bit 0	Data type
Byte 0	Analog Input Data(Channel 1)								Int16
Byte 1									
Byte 2	Analog Input Data(Channel 2)								Int16
Byte 3									
Byte 4	Analog Input Data(Channel 3)								Int16
Byte 5									
Byte 6	Analog Input Data(Channel 4)								Int16
Byte 7									

Data description:

Analog Input Data(Channel 1~4): Analog signal Input value of corresponding channel.

Analog Input Data (DF20-M-4AI-U-4)								
(Profinet/Ethernet IP)				Other				
(-10V~10V)	Decimal	(0V~10V)	Decimal	(-10V~10V)	Decimal	(0V~10V)	Decimal	
>10.12	32767	>10.12	32767	/	/	/	/	Overflow
10.12	27979	10.12	27979	/	/	/	/	Exceed the upper limit
...					
...					
10+0.3617	27649	10+0.3617	27649					
10	27648	10	27648	10	32767	10	32767	Rated range
...	
...	
-10	-27648	0	0	-10	-32768	0	0	
-10-0.3617	-27649	/	/	/	/	/	/	Exceed the lower limit
...	...							
...	...							
-10.12	-27979							
<-10.12	-32768	/	/	/	/	/	/	Underflow

4. Machinery installation

● Dimension drawing

The installation size is shown in the following figure (unit: mm):

