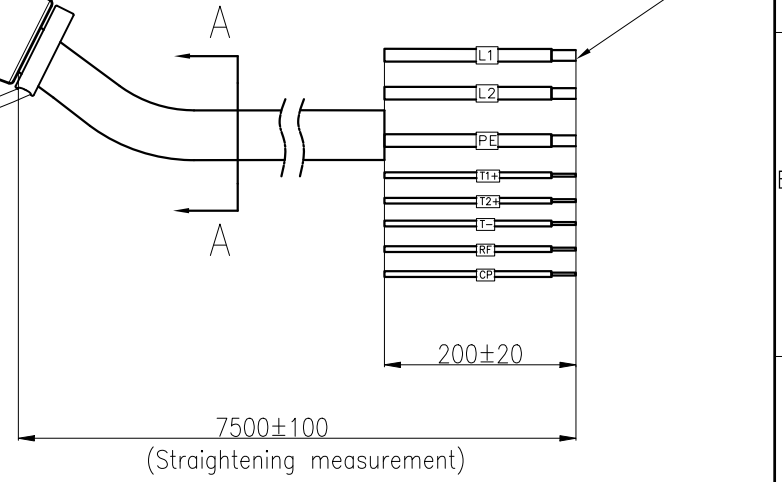
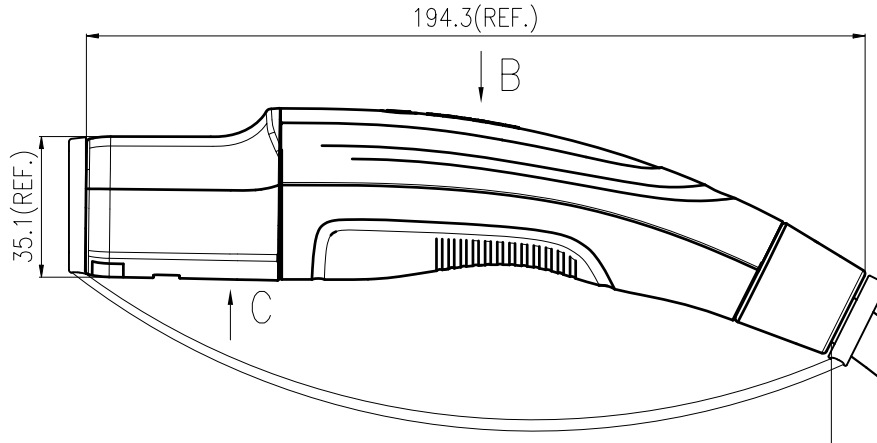
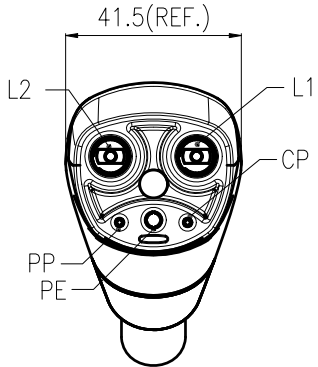


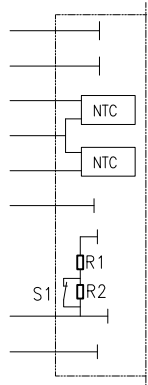
公差/General tolerances(mm)											0.1/10			
0	>3	>6	>10	>18	>30	>50	>80	>120	>180	>250		>315	>400	>500
~	3	6	10	18	30	50	80	120	180	250	315	400	500	±2'
±0.12	±0.18	±0.22	±0.26	±0.31	±0.37	±0.57	±0.80	±0.93	±1.05	±1.15	±1.60	±2.20	±2.50	



L1/L2/PE Half-Stripping 10mm  
CP/T1+/T2+/T-/RF Half-Stripping 8mm

Wiring diagram

- L1 6AWG Red
- L2 6AWG Black
- T1+ 22AWG Blue
- T- 22AWG Pink
- T2+ 22AWG Brown
- CP 22AWG Orange
- PP
- PE 8AWG Green
- RF 22AWG Violet



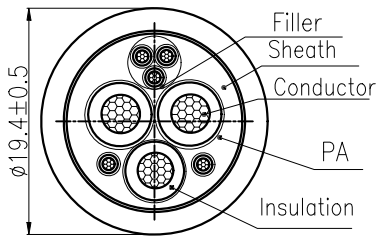
R1=150Ω±10%  
R2=330Ω±10%

Silk screen printing:



Laser Printing Note:

UL No. :E505319  
MTAC-S-065A-V5-03-5.0M-10A(H)  
65A 240V AC  
TYPE 3R  
OP:-40~+50℃  
20xxxxxx-xxxx



额定电压/Rated voltage	240V AC/65A
绝缘电阻/Insulation resistance	>100MΩ,500V DC 1min
耐压/Withstanding voltage	L1, L2 and PE ,2500V AC 1min L1 and L2 ,2500V AC 1min
防护等级/Ingress protection	TYPE 3R
插拔寿命/Insertion/Pullout times	10,000 Times
插拔力/Insertion/Pullout force	<90N
使用温度范围/Operating temperature(°C)	-40 ~ +50
线材规格/Cable specification	2*6AWG+1*8AWG+5*22AWG Black
标准/Reference standard	NACS,UL2251
符合RoHS环保要求/Conform to RoHS	Yes

		MATERIAL:	SURFACE/COLOR:		
		MAT NO./REV: DO-1	MAT STATUS:		
APPD: Ye DB 24.10.31	CHKD: Li WJ 24.10.31	NAME MTAC-S-065A-V5-03-5.0M-10A(H)			
DRFT: Zhang Q 2024.08.22		DRAWING NO.	TYPE CUSTOMER DRAWING	DRAWING STATUS	SHEET 1/1

REV	ECN	DESCRIPTION	DRFT	DATE

Transfer or duplication of this document as well as the utilization or communication of its contents are prohibited unless authorized in writing. All rights reserved for patent, utility model or design registrations. 未经授权复制或传播本文件内容，以及利用本文件内容或传播其内容均被禁止。本公司保留所有权利。