



DRPT-1C



DRPT-2C

**特点**

- 体积小、1C: 12A, 2C: 8A切换功率。
- 配有多种插座可供选择。
- 带测试按钮, 二极管和LED指示。
- 环保产品 RoHS。

**Features**

- Small size, 1C: 12A, 2C: 8A switching power.
- Multiple sockets optional.
- With test button, diode and LED.
- Green product RoHS.

**性能参数 Performance Parameters**
**触点参数 Contact parameters**

触点形式 Contact form	1C, 2C	
触点材料 Contact material	Ag alloy	
阻性负载 Resistive load	1C: 12A@277VAC/30VDC	2C: 8A@277VAC/30VDC
马达负载 Motor load	1C: 1/2HP@250VAC	2C: 1/3HP@250VAC
切换功率 Switch power	1C: 3324VA/360W	2C: 2216VA/240W
接触电阻 (初始) Contact resistance(Initial)	≤100mΩ	
电气寿命 (1s通/1s断) Electrical life(1s on/1s off)	>1×10 <sup>5</sup> (1800 Ops/h)	
机械寿命 (300次/分钟) Mechanical life(300cycles/min)	>1×10 <sup>7</sup> (18000 Ops/h)	

**线圈参数 Coil parameters**

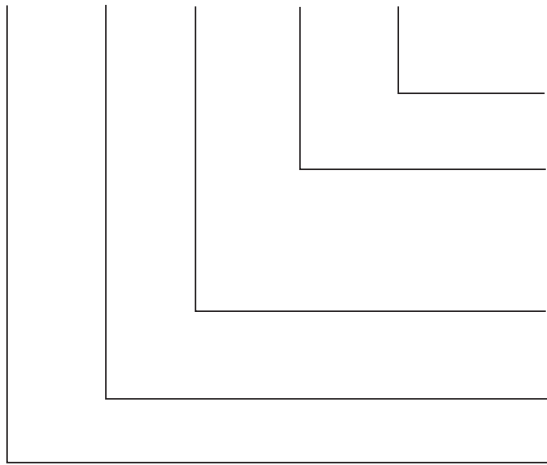
额定电压 Rated voltage (DC)	DC6V	DC12V	DC24V	DC48V	DC110V	
额定电阻 Rated resistance(±10%)	68Ω	272Ω	1087Ω	4347Ω	22830Ω	
额定电压 Rated voltage (AC)	AC6V	AC12V	AC24V	AC48V	AC100-110V	AC220-240V
额定电阻 Rated resistance(±10%)	15.8Ω	63Ω	252Ω	1008Ω	5294Ω	23144Ω
吸合电压 Operate voltage	DC: ≤75%(Rated voltage); AC: ≤80%(Rated voltage)					
释放电压 Release voltage	DC: ≥10%(Rated voltage); AC: ≥30%(Rated voltage)					
最大工作电压 Max input voltage	110%(Rated voltage)					
线圈功耗 Coil power	0.53W/0.8-1.0VA					
吸合时间 Operate time	<20ms					
释放时间 Release time	<10ms					

**通用参数 Universal parameters**

绝缘电阻 Insulation resistance	1000MΩ(500VDC/min)
介质耐压 Dielectric voltage	
同极触点间 Between contacts	1000VAC/1min
异极触点间 Between contacts(different pole)	1000VAC/1min
线圈触点间 Between contacts and coil	5000VAC/1min
耐冲击 Shock withstanding	10G(Half sine wave pulse 11ms)
耐振动 Vibration withstanding	10-55Hz(Double amplitude 1.0mm)
环境温度 Ambient temperature	-40...+85°C
环境湿度 Ambient humidity	45%~75%RH
重量 Weight	25g
配套插座 Matching socket	1C: DSRT05A series ; 2C: DSRT08A series

型号订购 Model Order

DRPT-2C-LR-D24-02A(H)



环保:H  
RoHS:H

线圈电压:DC:D6,D12,D24,D48,D110  
AC:A6,A12,A24,A48,A110,A220  
Coil voltage:DC:D6,D12,D24,D48,D110  
AC:A6,A12,A24,A48,A110,A220

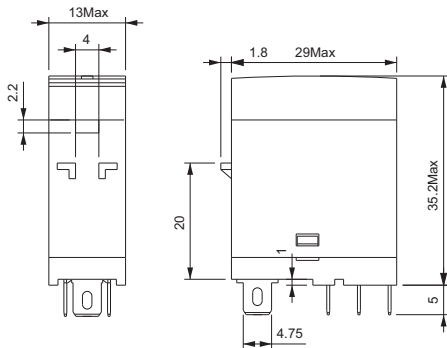
功能选项:  
LR:灯+自锁按钮;LDR:灯+二极管+自锁按钮  
Function option:  
LR:LED+Self-locking button;LDR:LED+Diode+Self-locking button

触点形式:1C,2C  
Contact form:1C,2C

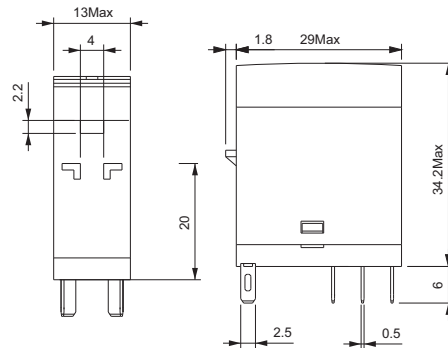
产品大类:DRPT  
Product Category:DRPT

外形尺寸图 Overall Dimensions

DRPT-1C

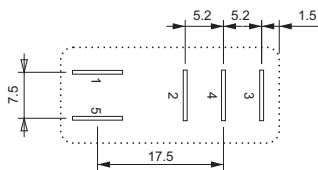


DRPT-2C

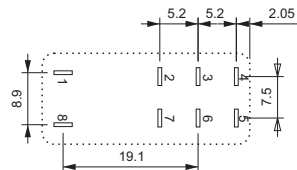


脚位图、接线图 Installation Diagrams, Wiring Diagrams

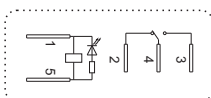
DRPT-1C



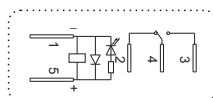
DRPT-2C



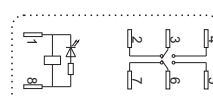
DRPT-1C-LR



DRPT-1C-LDR



DRPT-2C-LR



DRPT-2C-LDR

