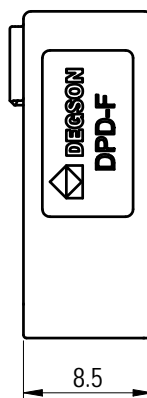
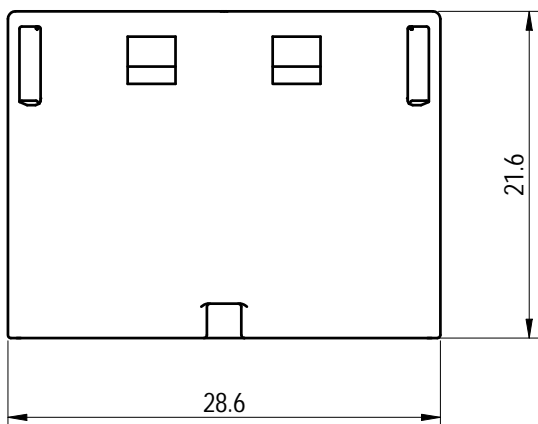
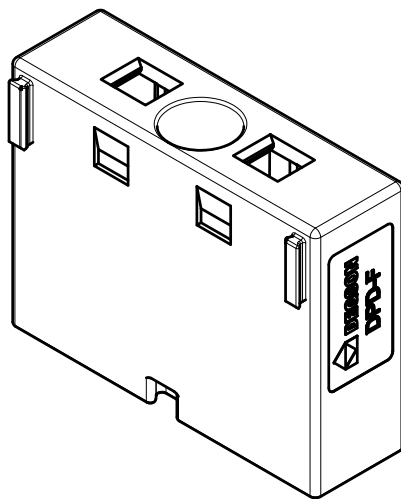
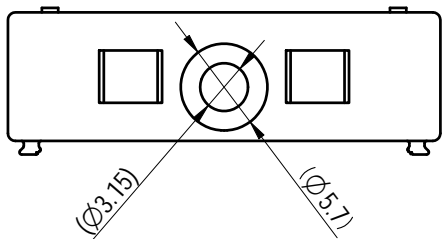


Transfer or duplication of this document as well as the utilization or communication of its contents are prohibited unless authorized in writing by DEGSON. All rights reserved for patent, utility model or design registrations. 除专利等明确标注外，本文件的所有权、复制、引用、分发等文件均受法律保护。未经书面许可，不得复制或传播本文件内容。所有权利保留。

未注公差/General tolerances (mm)													0.1/10	
0	>3	>6	>10	>18	>30	>50	>80	>120	>180	>250	>315	>400		>500
~3	~6	~10	~18	~30	~50	~80	~120	~180	~250	~315	~400	~500		
±0.12	±0.18	±0.22	±0.26	±0.31	±0.37	±0.57	±0.80	±0.93	±1.05	±1.15	±1.60	±2.20	±2.50	±2'



1	Housing	PA66	UL94 V-0
ITEM	NAME OF PART	MATERIAL	NOTES
使用温度范围/Operating temperature(°C)			-40~+105
符合RoHS环保要求/Conform to RoHS			Yes

			MATERIAL: /		SURFACE/COLOR: /	
			MAT NO./REV: /		MAT STATUS: 设计放行	
APPD: PengM	2024.04.10	NAME				
CHKD: GaoWG	2024.04.10	DPD-F-1Y-00Z(H)				
DRFT: GaoWG	2024.04.10	DRAWING NO.	TYPE	DRAWING STATUS	SCALE	SHEET
		200276590	CUSTOMER DRAWING	已发布	2:1	1/1

00	ECN	/	GaoWG	2024.04.10
REV	ECN	DESCRIPTION	DRFT	DATE