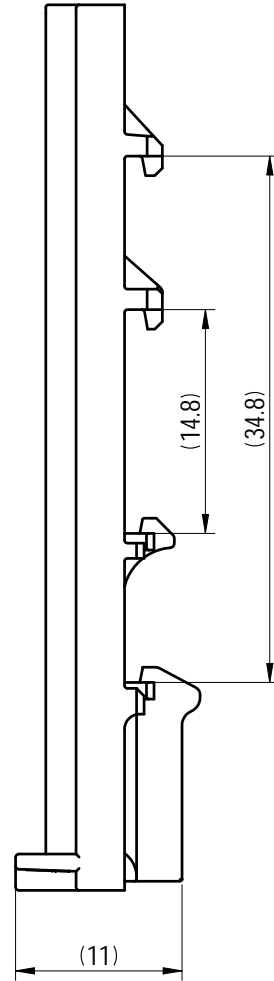
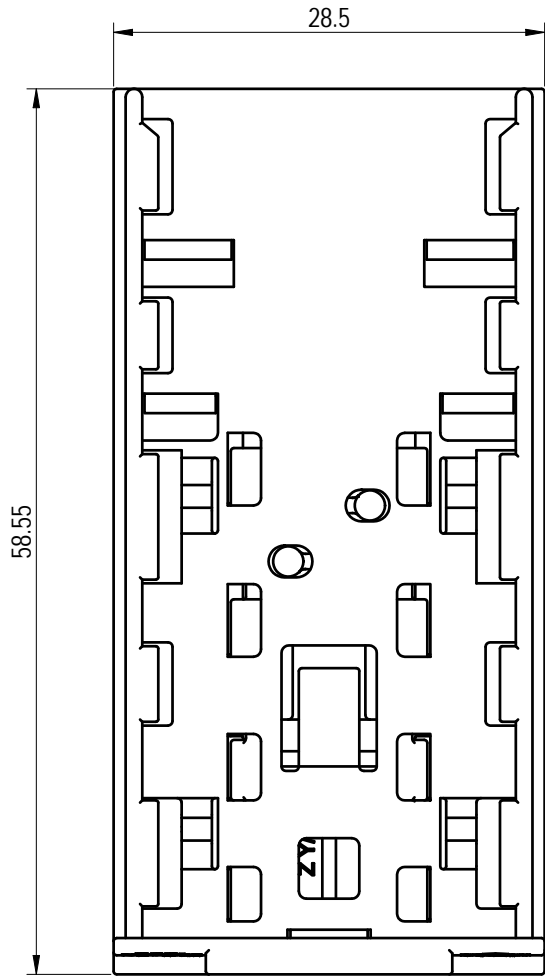
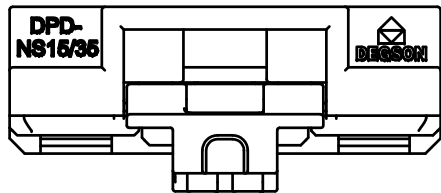
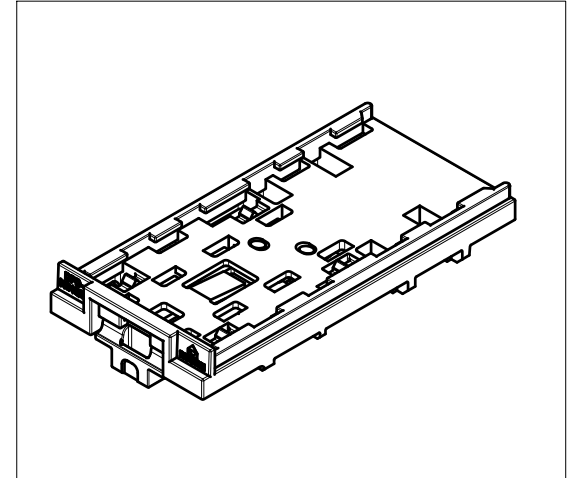


Transfer or duplication of this document as well as the utilization or communication of its contents are prohibited unless authorized in writing by Degson. All rights reserved for patent, utility model or design registrations. 除特别说明外，本文件的所有权、复制、引用、分发等文件均受法律保护。未经书面许可，任何复制或传播本文件的行为均受法律保护。



未注公差/General tolerances (mm)											0.1/10			
0 ~ 3	>3 ~ 6	>6 ~ 10	>10 ~ 18	>18 ~ 30	>30 ~ 50	>50 ~ 80	>80 ~ 120	>120 ~ 180	>180 ~ 250	>250 ~ 315		>315 ~ 400	>400 ~ 500	>500
±0.12	±0.18	±0.22	±0.26	±0.31	±0.37	±0.57	±0.80	±0.93	±1.05	±1.15	±1.60	±2.20	±2.50	±2'



2	Housing-Buckle	PC	UL94 V-2
1	Housing-Base	PA66	UL94 V-0
ITEM	NAME OF PART	MATERIAL	NOTES
使用温度范围/Operating temperature(°C)			-40~+105
符合RoHS环保要求/Conform to RoHS			Yes

		MATERIAL: /	SURFACE/COLOR: /		
APPD: PengM 2024.04.10		MAT NO./REV: / / /	MAT STATUS: 设计放行		
CHKD: GaoWG 2024.04.10		NAME			
DRFT: GaoWG 2024.04.10		DPD-NS15/35-1Y-00Z (H)			
DRAWING NO.	TYPE	DRAWING STATUS	SCALE	SHEET	
200276589	CUSTOMER DRAWING	已发布	2:1	1/1	

REV	ECN	DESCRIPTION	DRFT	DATE
00	ECN	/	GaoWG	2024.04.10

