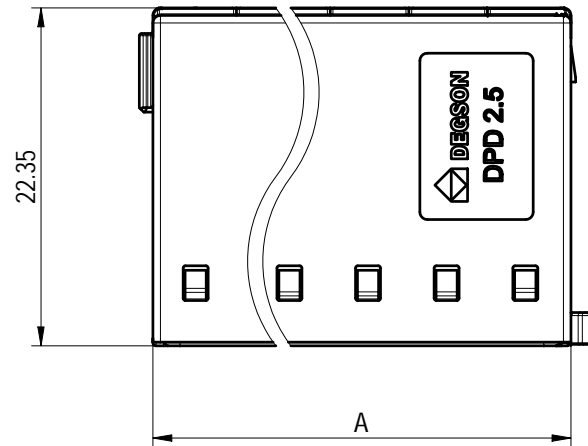
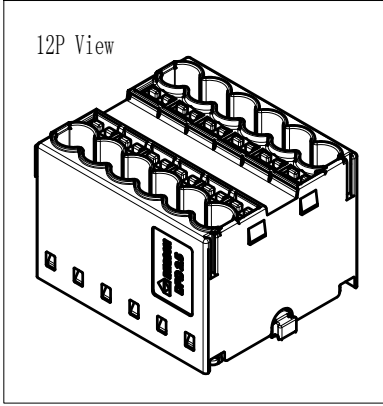
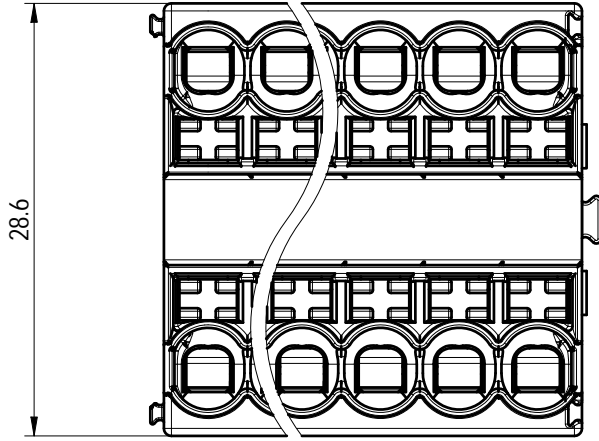


Transfer or duplication of this document as well as the utilization or communication of its content are prohibited unless authorized in writing by Degson. All rights reserved for patent, utility model or design registrations. 除专利等明确标注外, 未经授权, 禁止复制或传播。 未经授权, 禁止复制或传播。 未经授权, 禁止复制或传播。

未注公差/General tolerances (mm)													0.1/10	
0 ~ 3	>3 ~ 6	>6 ~ 10	>10 ~ 18	>18 ~ 30	>30 ~ 50	>50 ~ 80	>80 ~ 120	>120 ~ 180	>180 ~ 250	>250 ~ 315	>315 ~ 400	>400 ~ 500		>500
±0.12	±0.18	±0.22	±0.26	±0.31	±0.37	±0.57	±0.80	±0.93	±1.05	±1.15	±1.60	±2.20	±2.50	±2'



A	5.2	16.25	31.85	47.45
XXP	02P	06P	12P	18P

ITEM	NAME OF PART	MATERIAL	NOTES
6	Button-Small	PA66+GF	UL94 V-0
5	Current-Carrier-2.5	copper alloy	Plated Sn
4	Spring-Small	Stainless steel	/
3	Housing-Top	PA66	UL94 V-0
2	Housing-Mid	PA66	UL94 V-0
1	Housing-Bottom	PA66	UL94 V-0

UL 标准/UL Standard:	B	C	D
额定电压/电流/Rated Voltage(V)/Current(A)	300/20	300/20	/
IEC 标准/IEC Standard:			
过压类别/Overvoltage Category/污染等级/Pollution Degree	III/3	III/2	II/2
额定电压/电流/Rated Voltage(V)/Current(A)	690/24	690/24	690/24
额定脉冲电压(KV)/Rate Impulse Voltage(KV)	8	8	8
线径范围(硬线和软线)/Wire Range(rigid and flexible)(AWG/mm²)	硬线(AWG): 26~12 软线(AWG): 26~14 硬线(mm²): 0.14 mm² ... 4 mm² 软线(mm²): 0.14 mm² ... 2.5 mm²		
间距/Pitch(mm)/线数范围/Poles	5.2/N=02P/06P/12P/18P		
剥线长度/Stripping length(mm)	10~12		
使用温度范围/Operating temperature(°C)	-40~+105		
符合RoHS环保要求/Conform to RoHS	Yes		

<b>DEGSON</b>		MATERIAL:	SURFACE/COLOR:
APPD: PengM	2024.04.10	MAT NO./REV: /	MAT STATUS: 设计放行
CHKD: GaoWG	2024.04.10	NAME	
DRFT: GaoWG	2024.04.10	DPD2. 5-XXP-1Y-00Z (H)	
00		DRAWING NO.	TYPE
REV	ECN	200276587	CUSTOMER DRAWING
			DRAWING STATUS
			已发布
			SCALE
			2:1
			SHEET
			1/1

REV	ECN	DESCRIPTION	DRFT	DATE
00			GaoWG	2024.04.10