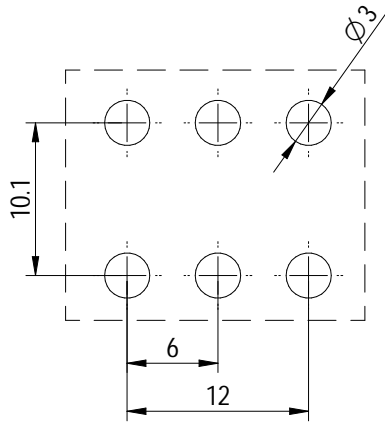
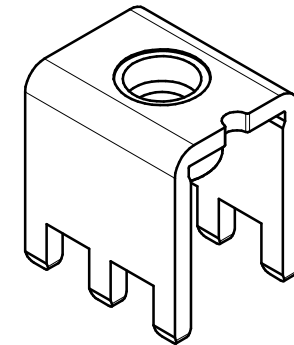
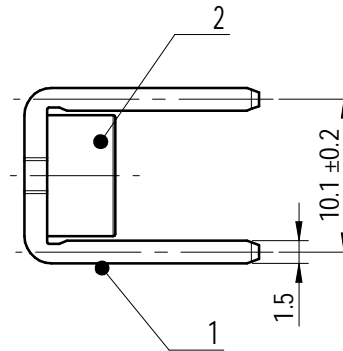
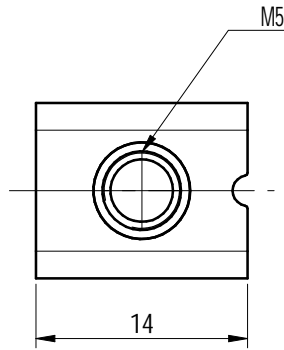


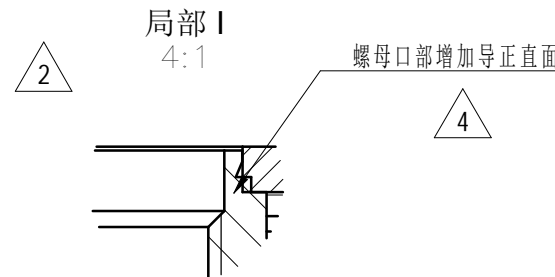
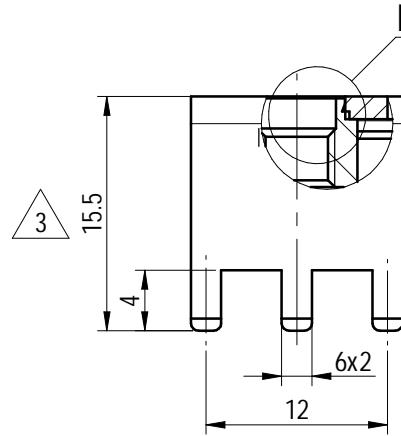
PCB LAYOUT



未注公差/General tolerances (mm)												0.1/10		
0 ~ 3	>3 ~ 6	>6 ~ 10	>10 ~ 18	>18 ~ 30	>30 ~ 50	>50 ~ 80	>80 ~ 120	>120 ~ 180	>180 ~ 250	>250 ~ 315	>315 ~ 400		>400 ~ 500	>500
±0.12	±0.18	±0.22	±0.26	±0.31	±0.37	±0.57	±0.80	±0.93	±1.05	±1.15	±1.60	±2.20	±2.50	±2°



3D VIEW



ITEM	NAME OF PART	MATERIAL	NOTES
2	Nut	Steel	Zn Plated
1	Pin header	Copper	Sn Plated

电流/Current(A)	145A
螺丝扭矩/Torque Tightening(N·m/Lb.in)	M5, 4.0/35.4
符合RoHS环保要求/Conform to RoHS	Yes

<b>DEGSON</b>	
APPD: 蓝贵凡	2023. 12. 05
CHKD: 曹利彬	2023. 12. 05
DRFT: 曹利彬	2023. 12. 05

MATERIAL: /	SURFACE/COLOR: /			
MAT NO./REV: /	MAT STATUS: 设计放行			
NAME				
K161-00A&Z (H)				
DRAWING NO.	TYPE	DRAWING STATUS	SCALE	SHEET
/	COMPONENT DRAWING	已发布	2:1	1/1

04	/	螺母口部增加导直面	汪德荣	2024. 06. 30
REV	ECN	DESCRIPTION	DRFT	DATE

Transfer or duplication of this document as well as the utilization or communication of its contents are prohibited unless authorized in advance. All rights reserved for patent. Utility model or design registrations. 除专利证明外, 其他任何形式之复制或传播, 均须经本公司事先书面同意。本公司保留所有权利。