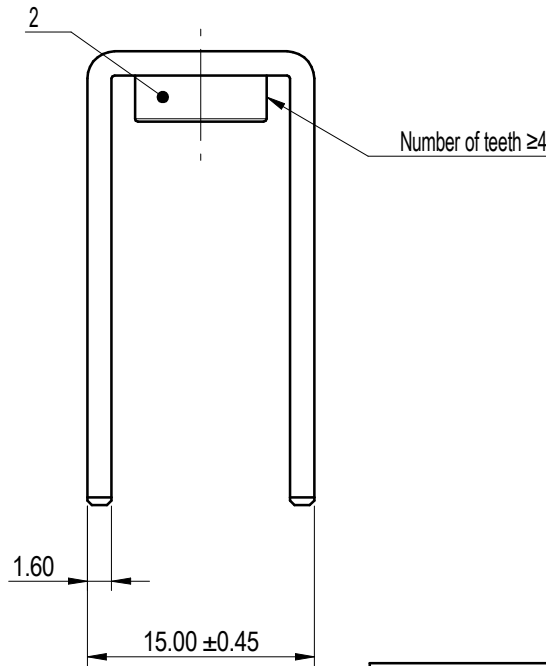
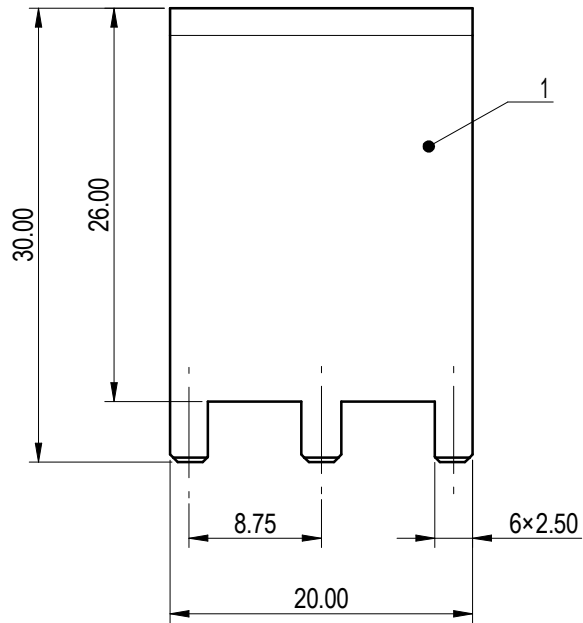
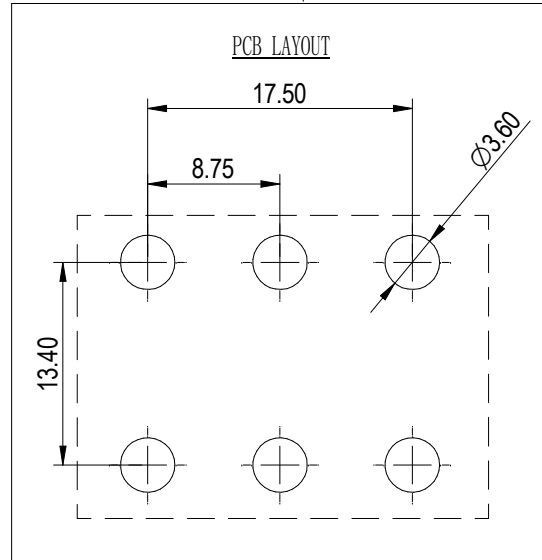
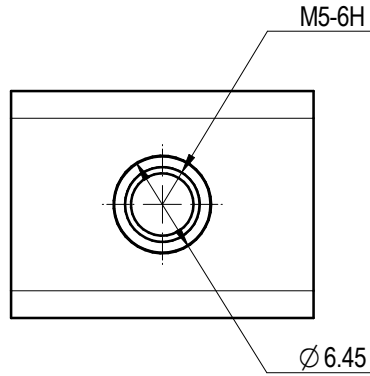


Transfer or duplication of this document as well as the utilization or summarization of its contents are prohibited unless authorized in writing by Degson. All rights reserved for patent. 未经授权复制或传播本文件中的任何内容，以及将本文件中的任何内容用于任何目的，均属于侵权行为。本公司保留对本文件的所有权利。



未注公差/General tolerances (mm)													0.1/10	
0	>3	>6	>10	>18	>30	>50	>80	>120	>180	>250	>315	>400	>500	±2'
~3	~6	~10	~18	~30	~50	~80	~120	~180	~250	~315	~400	~500		
±0.12	±0.18	±0.22	±0.26	±0.31	±0.37	±0.57	±0.80	±0.93	±1.05	±1.15	±1.60	±2.20	±2.50	

Note: The A&Z(H) in the name means: A(H) and Z(H).

ITEM	NAME OF PART	MATERIAL	NOTES
2	Nut	Steel	Zn Plated
1	Pin header	Copper	Sn Plated

额定电流/Current(A)	115
螺丝扭矩/Torque Tightening(N·m/Lb.in)	M5, 3.0/26.58
符合RoHS环保要求/Conform to RoHS	Yes

DEGSON		MATERIAL:	SURFACE/COLOR:
APPD: 蓝贵凡 2023.02.21		MAT NO./REV: 10900000097-1 / 00	MAT STATUS: 批量
CHKD: 曹利彬 2023.02.17		NAME	
DRFT: 姜民洁 2023.02.17		K80-00A&Z(H)	
DRAWING NO.	TYPE	DRAWING STATUS	SCALE
200152228	CUSTOMER DRAWING	已发布	2:1
SHEET		1/1	

REV	ECN	DESCRIPTION	DRFT	DATE
00			姜民洁	2023.02.17