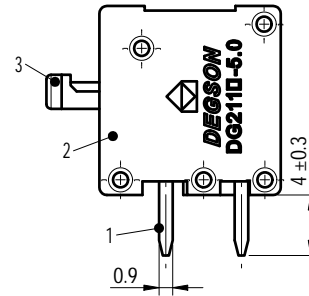
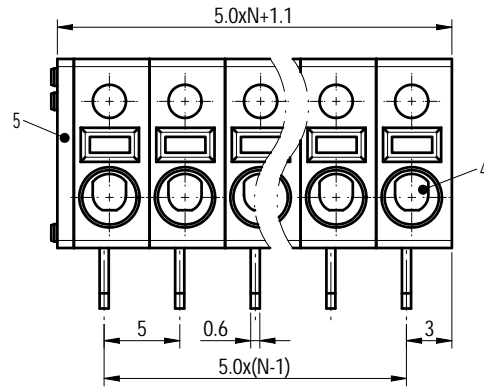
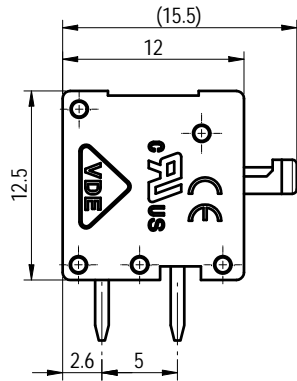
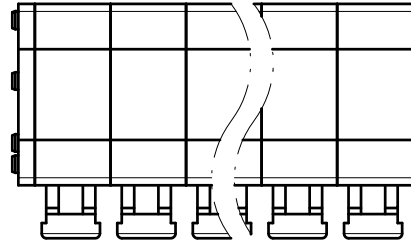
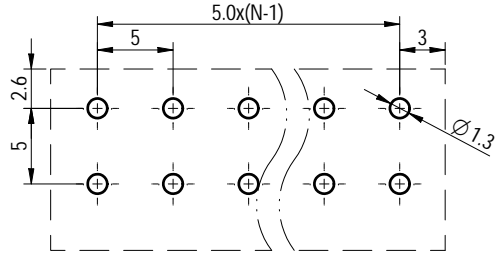
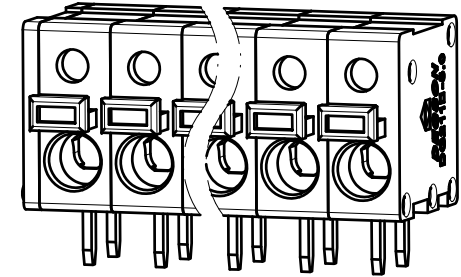


PCB LAYOUT



公差/General tolerances (mm)													0.1/10
0	>3	>6	>10	>18	>30	>50	>80	>120	>180	>250	>315	>400	
~3	~6	~10	~18	~30	~50	~80	~120	~180	~250	~315	~400	~500	±2'
±0.12	±0.18	±0.22	±0.26	±0.31	±0.37	±0.57	±0.80	±0.93	±1.05	±1.15	±1.60	±2.20	



ITEM	NAME OF PART	MATERIAL	NOTES
5	Cover	PA66	UL94V-0
4	Spring	Stainless steel	/
3	Button	POM	UL94HB
2	Housing	PA66	UL94V-0
1	Pin header	Copper alloy	Sn plated

UL 标准/UL Standard:	B	C	D
额定电压/电流/Rated Voltage(V)/Current(A)	300/8	/	/
IEC 标准/IEC Standard:			
过压类别/Overvoltage Category/污染等级/Pollution Degree	III/3	III/2	II/2
额定电压/电流/Rated Voltage(V)/Current(A)	/	250/15	/
额定脉冲电压(KV)/Rate Impulse Voltage(KV)	AC2000		
线径范围(硬线和软线)/Wire Range(rigid and flexible)(AWG/mm²)	26~16 / 0.2~1.5		
间距/Pitch(mm)/线数范围/Poles	5.0/N=01~24P		
剥线长度/Stripping length(mm)	8~9		
使用温度范围/Operating temperature(°C)	-40~+105		
符合RoHS环保要求/Conform to RoHS	Yes		



APPD: 兰春华	2022.08.02
CHKD: 陈招	2022.08.02
DRFT: 袁路易	2022.08.01

MATERIAL:	SURFACE/COLOR:		
MAT NO./REV:	/ 00	MAT STATUS: 批量	
NAME			
DG211R-5.0-XXP-1Y-00A(H)			
DRAWING NO.	TYPE	DRAWING STATUS	SCALE
200022081	CUSTOMER DRAWING	已发布	2:1
SHEET		1/1	

REV	ECN	DESCRIPTION	DRFT	DATE
00			袁路易	2022.08.01

Transfer or duplication of this document as well as the utilization or communication of its contents are prohibited without express approval. Violations will be liable for compensation. All rights reserved for patent. 未经授权复制或传播本文件内容，以及未经许可使用本文件内容，均属于侵权行为，公司将依法追究。 版权所有，侵权必究。