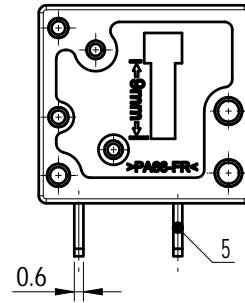
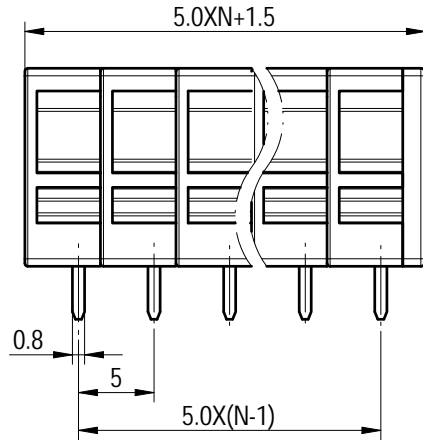
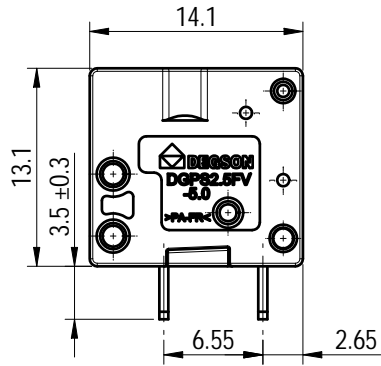
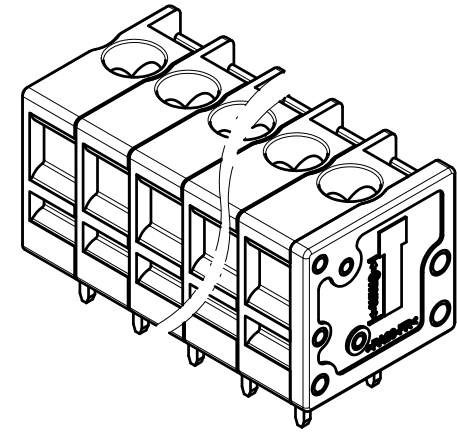
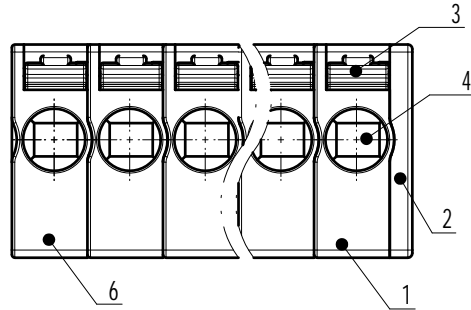
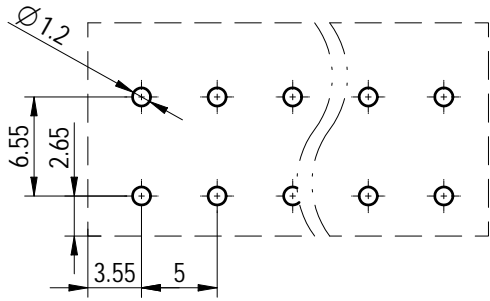


PCB LAYOUT



未注公差/General tolerances (mm)													0.1/10
0	>3	>6	>10	>18	>30	>50	>80	>120	>180	>250	>315	>400	
~3	~6	~10	~18	~30	~50	~80	~120	~180	~250	~315	~400	~500	>500
±0.12	±0.18	±0.22	±0.26	±0.31	±0.37	±0.57	±0.80	±0.93	±1.05	±1.15	±1.60	±2.20	±2.50

ITEM	NAME OF PART	MATERIAL	NOTES
6	Housing 2	Nylon	UL94V-0
5	Pin header	Copper	Sn Plated
4	Spring	Stainless Steel	/
3	Button	PPS	UL94V-0
2	Cover	Nylon	UL94V-0
1	Housing 1	Nylon	UL94V-0

UL 标准/UL Standard:	B	C	D
额定电压/电流/Rated Voltage(V)/Current(A)	300/15	/	300/10
IEC 标准/IEC Standard:			
过压类别/Overvoltage Category/污染等级/Pollution Degree	III/3	III/2	II/2
额定电压/电流/Rated Voltage(V)/Current(A)	320/20	400/20	630/20
额定脉冲电压(KV)/Rate Impulse Voltage(KV)	4	4	4
线径范围(硬线和软线)/Wire Range(rigid and flexible)(AWG/mm²)	20~12 / 0.5~2.5		
间距/Pitch(mm)/线数范围/Poles	5.0/N=02~12P		
剥线长度/Stripping length(mm)	9~10		
使用温度范围/Operating temperature(°C)	-40~+105		
符合RoHS环保要求/Conform to RoHS	Yes		

		MATERIAL:	SURFACE/COLOR:		
		MAT NO./REV:	MAT STATUS: 样品		
APPD: 兰春华	2023.06.29	NAME			
CHKD: 陈招	2023.06.29	DGPS2.5FV-5.0-XXP-1Y-00Z (H)			
DRFT: 陈招	2023.06.29	DRAWING NO.	TYPE	DRAWING STATUS	SCALE
		200197870	CUSTOMER DRAWING	已发布	2:1
				SHEET	1/1

REV	ECN	DESCRIPTION	DRFT	DATE
01			陈招	2023.06.29

Transfer or duplication of this document as well as the utilization or communication of its contents are prohibited without express approval by Degson. Violations will be liable for compensation. All rights reserved for patent, utility model or design registrations. 未经授权复制或传播本文件内容，或在本文件内容基础上进行任何形式的使用，均属于侵权行为，公司将依法追究法律责任。所有权利保留，侵权必究。