

Transfer or duplication of this document as well as the utilization or communication of its content are prohibited unless authorized in writing. All rights reserved for patent. 未经许可复制或传播本文件内容，或在本文件基础上进行再加工、复制或再行传播，均属于侵权行为。本公司保留对本文件的所有权利。

FOR-1755 Rev. 1.7

2

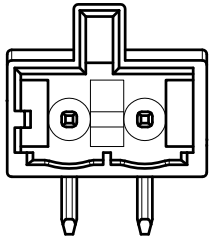
3

4

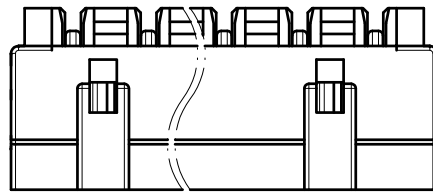
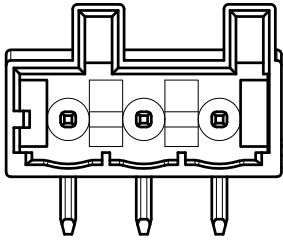
5

6

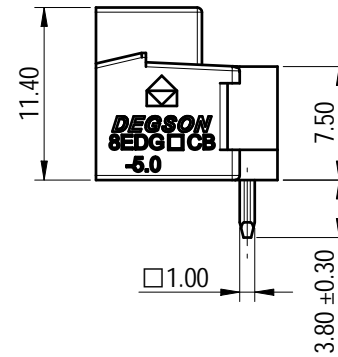
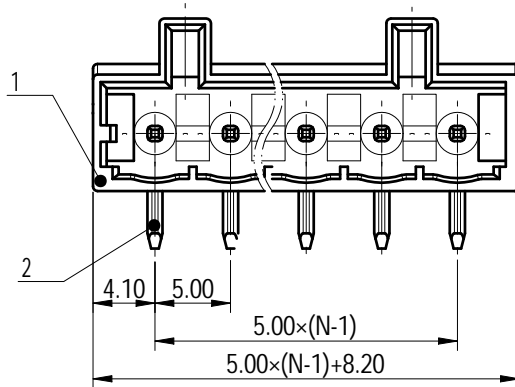
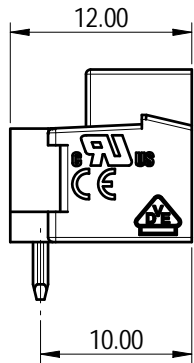
02P



03P



未注公差/General tolerances (mm)												0.1/10 ±2'	
0	>3	>6	>10	>18	>30	>50	>80	>120	>180	>250	>315		>400
~3	~6	~10	~18	~30	~50	~80	~120	~180	~250	~315	~400	~500	
±0.12	±0.18	±0.22	±0.26	±0.31	±0.37	±0.57	±0.80	±0.93	±1.05	±1.15	±1.60	±2.20	±2.50

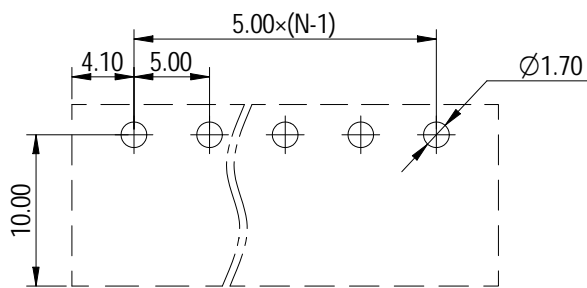


Note: The A&Z(H) in the name means: A(H) and Z(H).

ITEM	NAME OF PART	MATERIAL	NOTES
2	Pin header	Copper alloy	Sn Plated
1	Housing	PA66	UL94V-0

UL 标准/UL Standard:	B	C	D
额定电压/电流/Rated Voltage(V)/Current(A)	300/15	/	/
IEC 标准/IEC Standard:			
过压类别/Overvoltage Category/污染等级/Pollution Degree	III/3	III/2	II/2
额定电压/电流/Rated Voltage(V)/Current(A)	320/20	/	/
额定脉冲电压(KV)/Rate Impulse Voltage(KV)	4	/	/
间距/Pitch(mm)/线数范围/Poles	5.00/N=02~24P		
使用温度范围/Operating temperature(°C)	-40~+105		
符合RoHS环保要求/Conform to RoHS	Yes		

PCB LAYOUT



DEGSON

APPD: 蓝贵凡 2022.12.27
 CHKD: 曹利彬 2022.12.27
 DRFT: 姜民洁 2022.12.27

MATERIAL:	SURFACE/COLOR: PANTONE 428C		
MAT NO./REV:	-	/	00
NAME			
8EDGRCB-5.0-XXP-11-01A&Z(H)			
DRAWING NO.	TYPE	DRAWING STATUS	SCALE
200126515	CUSTOMER DRAWING	已发布	2:1
			SHEET
			1/1

REV	ECN	DESCRIPTION	DRFT	DATE
00				

1

2

3

4

5

6