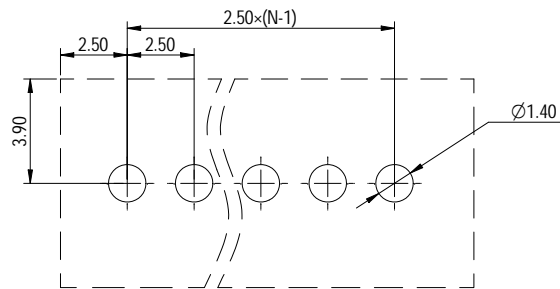
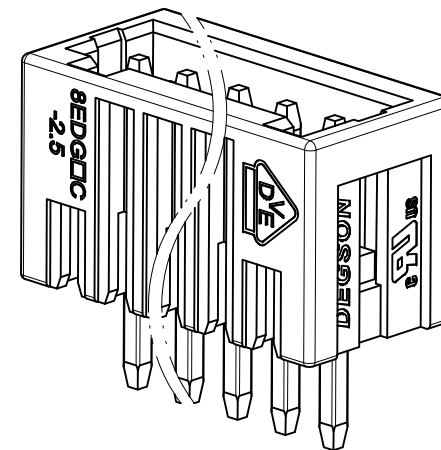
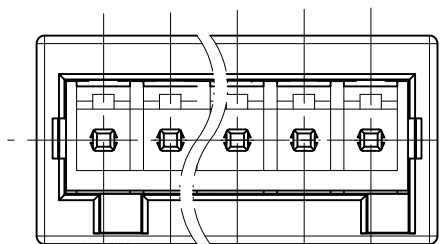


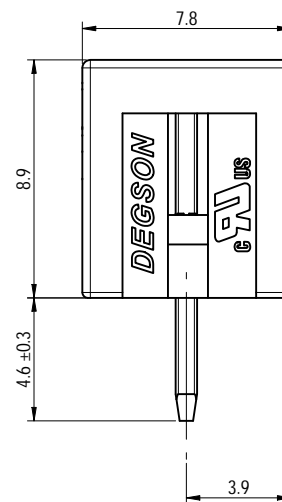
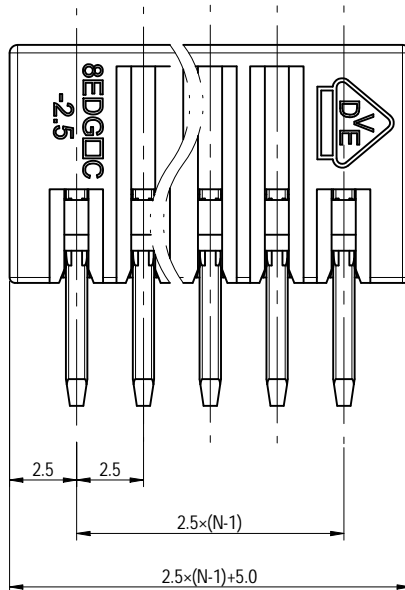
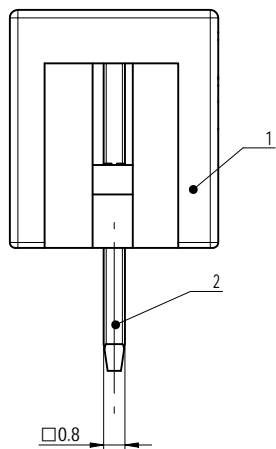
PCB LAYOUT



公差/General tolerances (mm)											D			
0	>3	>6	>10	>18	>30	>50	>80	>120	>180	>250	>315	>400	>500	0.1/10
~	~	~	~	~	~	~	~	~	~	~	~	~	~	N
±0.12	±0.18	±0.22	±0.26	±0.31	±0.37	±0.57	±0.80	±0.93	±1.05	±1.15	±1.60	±2.20	±2.50	±2



please refer to the 3D model, for those unmarked dimensions.



Note: The A&Z(H) in the name means:A(H) and Z(H).

ITEM	NAME OF PART	MATERIAL	NOTES
2	Pin header	Copper	Sn Plated
1	Housing	PA66	UL94V-0

UL 标准/UL Standard:	B	C	D
额定电压/电压/Rated Voltage(V)/Current(A)	150/4	150/4	150/4
IEC 标准/IEC Standard:			
过压类别/Overvoltage Category/污染等级/Pollution Degree	III/3	II/2	II/2
额定电压/电压/Rated Voltage(V)/Current(A)	130/6	/	/
额定脉冲电压(KV)/Rate Impulse Voltage(KV)	2.5	/	/
间距/Pitch(mm)/线数范围/Poles	2.50/N=02~12P		
使用温度范围/Operating temperature(°C)	-40~+10s		
符合RoHS环保要求/Conform to RoHS	Yes		

DEGSON		MATERIAL:	SURFACE/COLOR: PANTONE 428C		
APPD: 蓝美凡	2022.11.11	MAT NO./REV:	- / 00	MAT STATUS: 批量	
CHKD: 曹利影	2022.11.09	NAME: 8EDGVC-2.5-XXP-11-01A&Z(H)			
DRFT: 姜民浩	2022.11.09	DRAWING NO.	TYPE	DRAWING STATUS	SCALE
REV	ECN	200119392	CUSTOMER DRAWING	已发布	5:1
00					SHEET
REV	ECN	DESCRIPTION	DRFT	DATE	1/1

REV	ECN	DESCRIPTION	DRFT	DATE
00			姜民浩	2022.11.09

Transfer or duplication of this document as well as the utilization of its contents without the written permission of DEGSON is prohibited. All rights reserved for patent. 未经授权复制或传播本文件及其内容，或未经许可擅自使用其内容，均属侵权行为。DEGSON 保留所有权利，未经许可，不得复制或传播本文件及其内容。