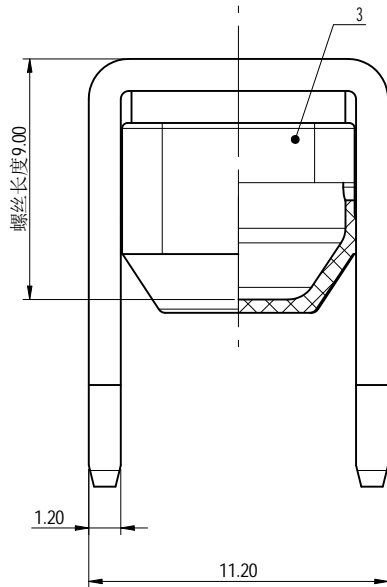
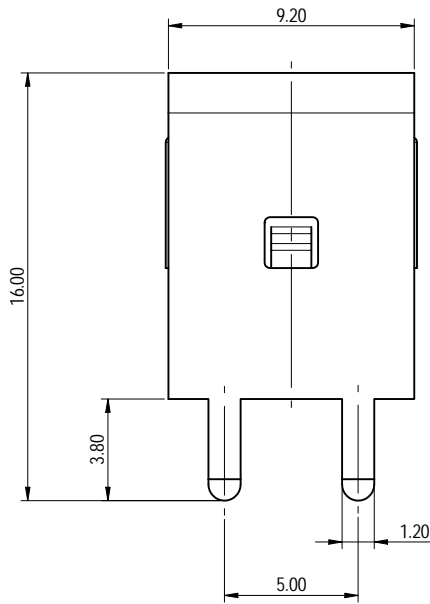
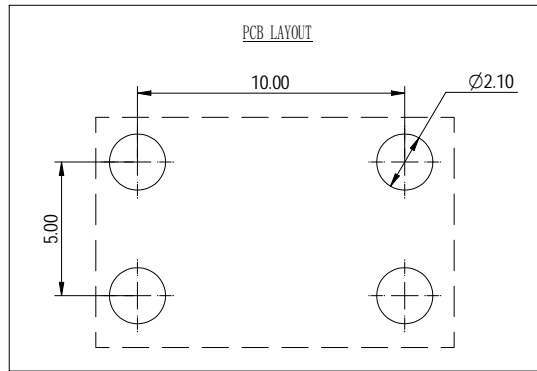
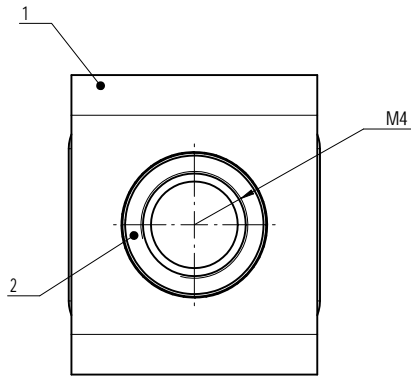


公差/General tolerances (mm)													D	
0	>3	>6	>10	>18	>30	>50	>80	>120	>180	>250	>315	>400		>500
~	~	~	~	~	~	~	~	~	~	~	~	~	~	N
±0.12	±0.18	±0.22	±0.26	±0.31	±0.37	±0.57	±0.80	±0.93	±1.05	±1.15	±1.60	±2.20	±2.50	



Note: The A&Z(H) in the name means: A(H) and Z(H).

3	Housing	PA66	UL94V-0
2	Nut	Steel	Zn Plated
1	Pin header	Copper	Sn Plated
ITEM	NAME OF PART	MATERIAL	NOTES
额定电流/Rated Current(A)			50A
螺丝扭矩/Torque Tightening(N·m/Lb.in)			M4: 2.4/21.26
符合RoHS环保要求/Conform to RoHS			Yes

<b>DEGSON</b>		MATERIAL:		SURFACE/COLOR:	
APPD: 蓝美凡	2023.11.09	MAT NO./REV: 10900000312-1 / 00	MAT STATUS: 批量		
CHKD: 曹利影	2023.11.09	NAME: K91-12A&Z(H)			
DRAFT: 姜民浩	2023.11.09	DRAWING NO. 200197062	TYPE: CUSTOMER DRAWING	DRAWING STATUS: 已发布	SCALE: 1:1
REV: 01	ECN:	DESCRIPTION:	DRAFT: 姜民浩	DATE: 2023.11.09	SHEET: 1/1

01			姜民浩	2023.11.09					
REV	ECN	DESCRIPTION	DRAFT	DATE	比例	比例	比例	比例	比例

Transfer or duplication of this document as well as the utilization or reproduction of its contents without the written consent of the copyright holder is prohibited. All rights reserved for patent.