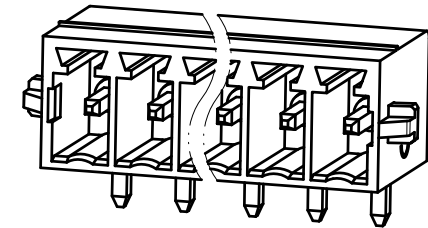
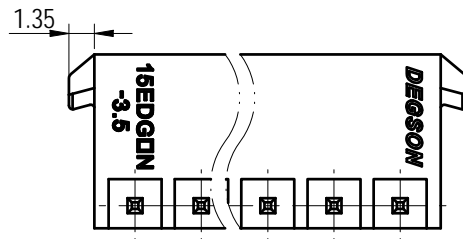
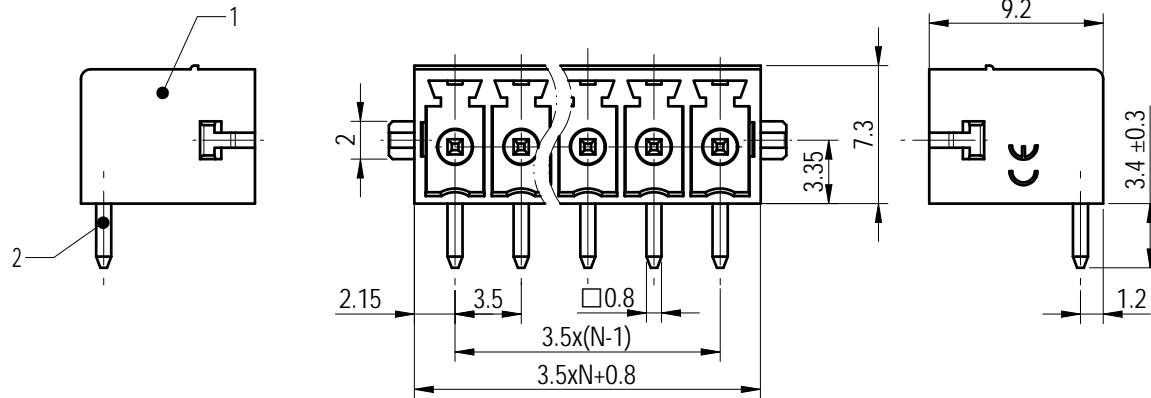
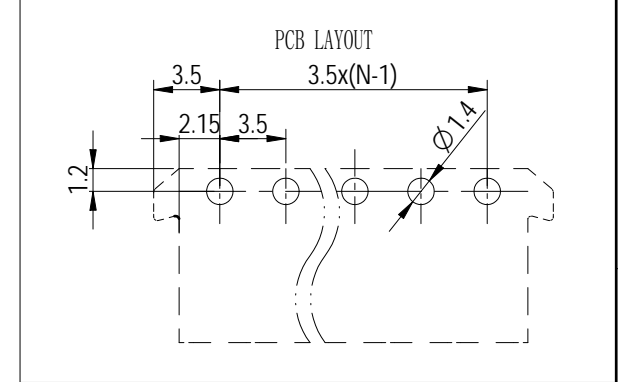


未注公差/General tolerances (mm)													0.1/10	
0	>3	>6	>10	>18	>30	>50	>80	>120	>180	>250	>315	>400		>500
±0.12	±0.18	±0.22	±0.26	±0.31	±0.37	±0.57	±0.80	±0.93	±1.05	±1.15	±1.60	±2.20	±2.50	±2°



ITEM	NAME OF PART	MATERIAL	NOTES
2	Pin	Copper alloy	Sn Plated
1	Housing	PA66+GF	UL94V-0

UL 标准/UL Standard:	B	C	D
额定电压/电流/Rated Voltage(V)/Current(A)	300/8	/	300/8
IEC 标准/IEC Standard:			
过压类别/Overvoltage Category/污染等级/Pollution Degree	III/3	III/2	II/2
额定电压/电流/Rated Voltage(V)/Current(A)	/	/	250/7
额定脉冲电压(KV)/Rate Impulse Voltage(KV)	/	/	2.5
间距/Pitch(mm)/线数范围/Poles	3.5/N=02~22P		
使用温度范围/Operating temperature(°C)	-40~+105		
符合RoHS环保要求/Conform to RoHS	Yes		

APPD: 兰春华	2024.01.08
CHKD: 陈招	2024.01.08
DRFT: 龚徐涛	2024.01.08

MATERIAL:		SURFACE/COLOR:	
MAT NO./REV: / 00		MAT STATUS: 批量	
NAME			
15EDGRN-3.5-XXP-1Y-00Z (H)			
DRAWING NO.	TYPE	DRAWING STATUS	SCALE
200141027	CUSTOMER DRAWING	已发布	5:1
SHEET		1/1	

REV	ECN	DESCRIPTION	DRFT	DATE
01			龚徐涛	2024.01.08

Transfer or duplication of this document as well as the utilization or communication of its contents are prohibited unless authorized in writing by DEGSON. All rights reserved for patent, utility model or design registrations. 除专利等权利外，所有权利均归 DEGSON 所有。未经许可，不得复制或传播本文件内容。一经发现，公司将依法追究法律责任。