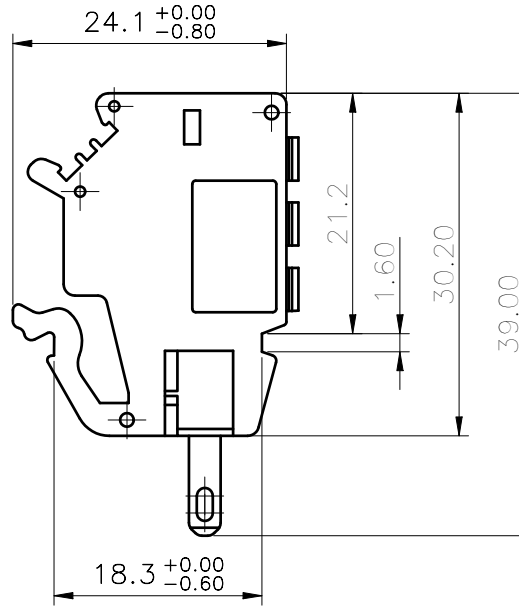
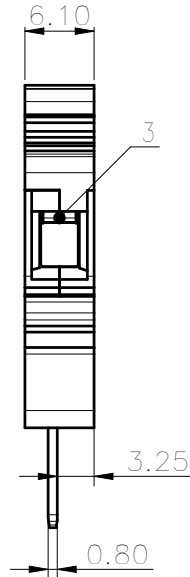
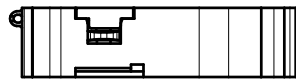
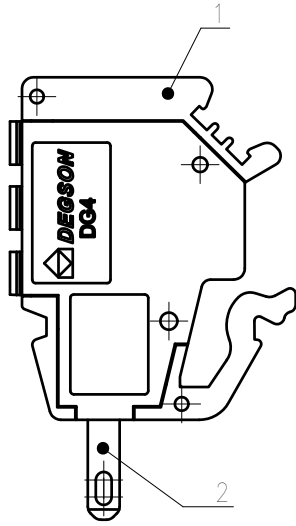
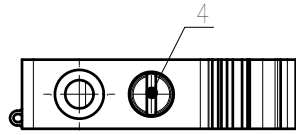
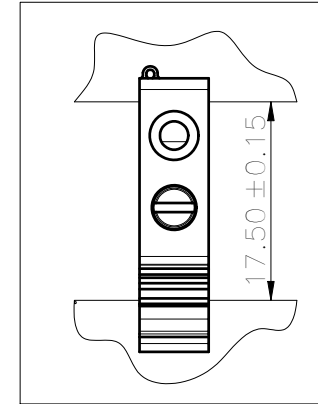


未注公差/General tolerances(mm)													0.1/10	
0	>3	>6	>10	>18	>30	>50	>80	>120	>180	>250	>315	>400		
~3	~6	~10	~18	~30	~50	~80	~120	~180	~250	~315	~400	~500	>500	
±0.12	±0.18	±0.22	±0.26	±0.31	±0.37	±0.57	±0.80	±0.93	±1.05	±1.15	±1.60	±2.20	±2.50	±2'



CARD SLOT SIZE VIEW



Note: The A&Z(H) in the name means: A(H) and Z(H).

ITEM	NAME OF PART	MATERIAL	NOTES
4	Screw	Copper alloy	Ni Plated
3	Cage	Copper alloy	Ni Plated
2	Pin_header	Copper	Sn Plated
1	Housing	PA66	UL94V-0

UL 标准/UL Standard:	B	C	D
额定电压/电流/Rated Voltage(V)/Current(A)	300/20	/	300/10
IEC 标准/IEC Standard:			
过压类别/Overvoltage Category/污染等级/Pollution Degree	III/3	III/2	II/2
额定电压/电流/Rated Voltage(V)/Current(A)	/	400/24	/
额定脉冲电压(KV)/Rate Impulse Voltage(KV)	/	2.5	/
螺丝扭矩/Torque Tightening(N·m/Lb.in)	M3, 0.5/4.43		
线径范围(硬线和软线)/Wire Range(rigid and flexible)(AWG/mm ²)	30~10 / 0.2~4.0		
线数范围/Poles	N=01P		
剥线长度/Stripping length(mm)	6		
使用温度范围/Operating temperature(°C)	-40~+105		
符合 RoHS 环保要求/Conform to RoHS	Yes		

		MATERIAL:	SURFACE:		
APPD: 蓝贵凡 2022.12.05		MAT NO./REV: - / 00	MAT STATUS: 批量		
CHKD: 曹利彬 2022.12.05		NAME			
DRFT: 姜民洁 2022.12.05		DG4-01P-1Y-00A&Z(H)			
DRAWING NO.	TYPE	DRAWING STATUS	SCALE	SHEET	
200007871	CUSTOMER DRAWING	已发布	1.5:1	1/1	

REV	ECN	DESCRIPTION	DRFT	DATE
00				

Transfer or duplication of this document as well as the utilization or communication of its contents are prohibited unless explicit authorization is granted. Degson reserves all rights for compensation. All rights reserved for patent, utility model or design registrations. 非经书面授权, 严禁禁止转让、复制、利用、交加本文件的内容, 一经发现将追究法律责任, 本公司保留对涉及发明、实用新型和外观设计的所有权利。