

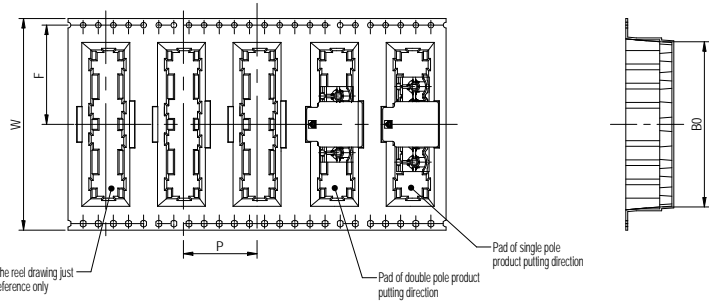
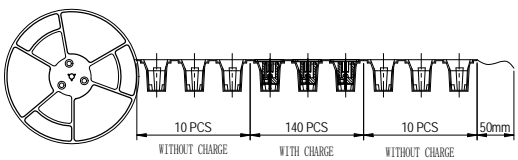
FOR-1761 Rev. 1.7	2	3			4			
Reel Name	POLE	Width/W	Pitch/P	Width/F	Width/Bo	Qty. pre reel	Reel qty. per carton	Qty. per carton
2EDGW-THR-5, 08-REEL(32)	02'04	32mm	20mm	14.2mm	20.6mm	140	8	1120
2EDGW-THR-5, 08-REEL(56)	05'08	56mm	20mm	26.2mm	38.7mm	140	5	700
2EDGW-THR-5, 08-REEL(88)	09'12	88mm	20mm	42.2mm	73.2mm	140	3	420

公差/General tolerances(mm)													
0	>3	>6	>10	>18	>30	>50	>80	>120	>180	>250	>315	>400	0.170
-	-	-	-	-	-	-	-	-	-	-	-	-	>500
3	6	10	18	30	50	80	120	180	250	315	400	500	1.7
+0.12	+0.18	+0.25	+0.35	+0.50	+0.70	+1.00	+1.50	+2.00	+2.50	+3.15	+4.00	+5.00	2.2

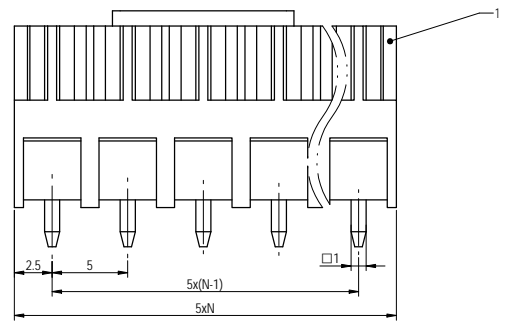
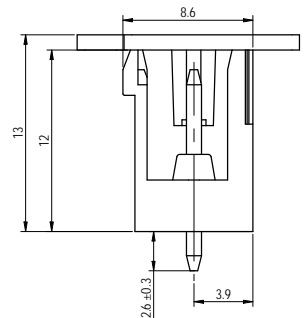
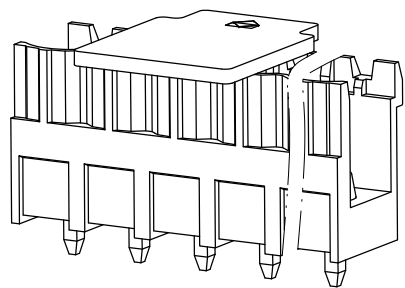
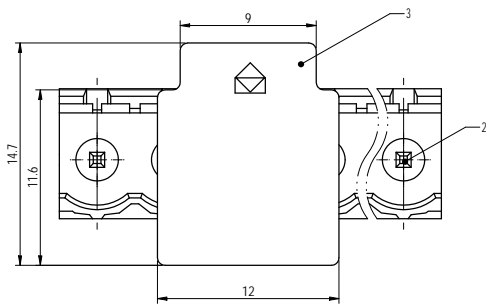
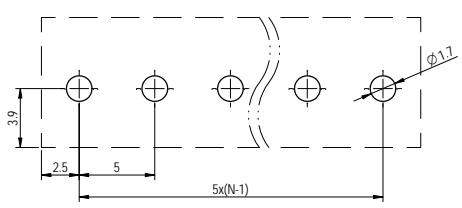
SCALE: 1:1



REELING DIRECTION



PCB LAYOUT



Note:
The AKZ(H) in the name means: A(H) and Z(H).

ITEM	NAME OF PART	MATERIAL	NOTES
3	Cap	Thermoplastic	UL94V-0
2	Pin	Copper	Sa Plated
1	Housing	Thermoplastic	UL94V-0

UL 标准/UL Standard	B	C	D
额定电压/电压/Rated Voltage(V)/Current(A)	300/15	/	300/10
IEC 标准/IEC Standard			
污染等级/Contamination Category/污染等级/ Pollution Degree	III/3	III/2	II/2
额定电压/电压/Rated Voltage(V)/Current(A)	S20/20	/	/
额定脉冲电压/电压/Rated Impulse Voltage(kV)	4	/	/
焊脚/Pitch(mm)/间距/间距/Pitches	5.0/N-02-12P		
使用温度范围/Operating temperature(°C)	-40 ~ +120		
符合RoHS环保要求/Conform to RoHS	Yes		
标准颜色编号/Standard color number: PANTONE / RAL	/		

MATERIAL:	表面颜色/SURFACE COLOR:
MAT. NO. / REY: -	00
MAT STATUS: 数量	

REV	BY	DESCRIPTION	DATE	APP'D	DATE	DRAWING NO.	TYPE	DRAWING STATUS	SCALE	SHEET
00	REN					200019686	CUSTOMER DRAWING	已发布	4:1	1/1

2EDGV-THR-5, 0-XXP-1Y-00AKZ(H)
 NAME: 2EDGV-THR-5, 0-XXP-1Y-00AKZ(H)
 TYPE: CUSTOMER DRAWING
 DRAWING STATUS: 已发布
 SCALE: 4:1
 SHEET: 1/1